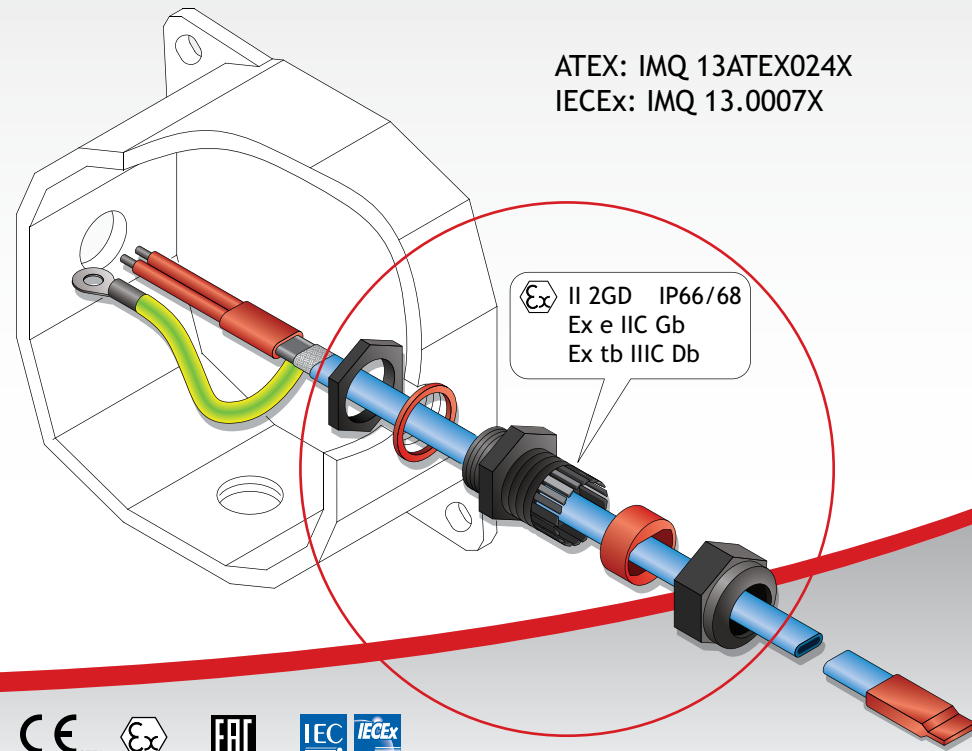


ATEX: IMQ 13ATEX024X
IECEX: IMQ 13.0007X

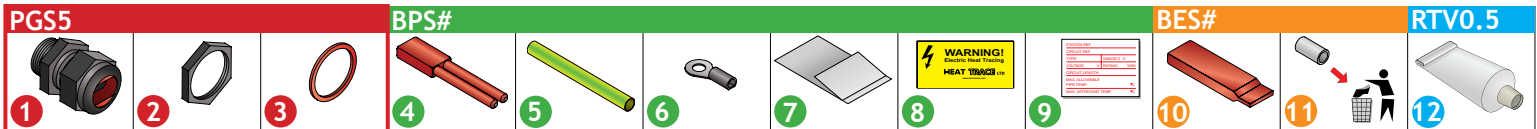


PGS5

- | | |
|---------|---------|
| FSEw-C | EMTS-CS |
| FSEw-CT | |
| FSEw-CF | |
| FSUw-N | |
| FSUw-NF | |
| SM-A | |
| SM-B | |



Made in the UK



SPECIAL CONDITIONS FOR SAFE USE:

The cable glands are only suitable for fixed installations. Cables shall be effectively clamped to prevent pulling or twisting. The cable glands with the relevant cables and the plugs shall be used where a protection against risk of mechanical damage is provided. Cable glands have a working temp of: -60°C - 80°C (M25 and silicone sealing rings)

