

CML 18 ATEX 3377U
 II 2G D
 Ex 60079-30-1 IIC Gb
 Ex 60079-30-1 IIIC Db
 Ts=-40°C to +90°C

TK / HTS1FAR / SML / P & B

LongLine LLR Cable
 (supplied separately)
 For splice connection
 of HTS1FAR 3.1 and 7.1
 sized heating cables.



Made in the UK

(Jun 23)

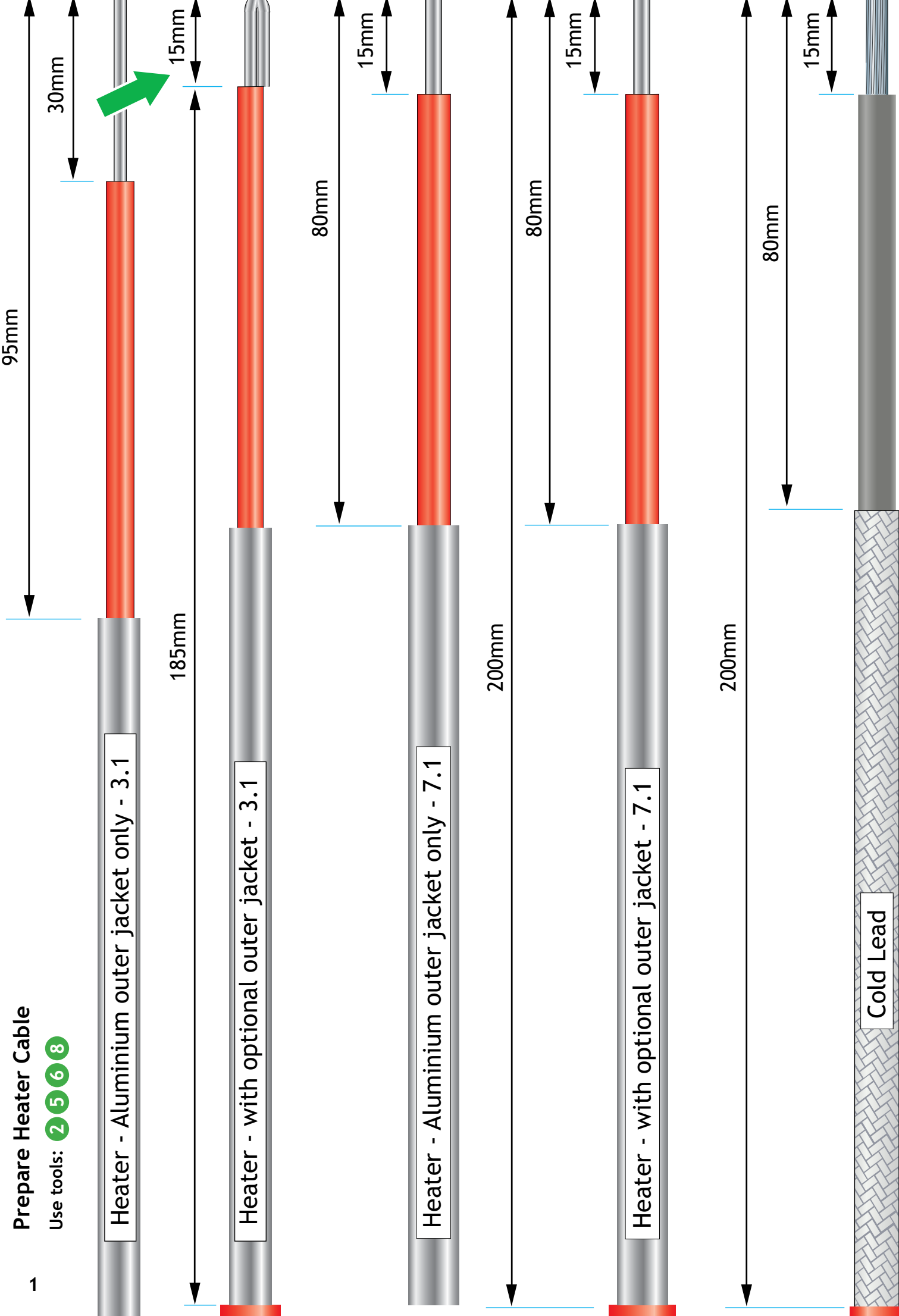
| ITEM | DESCRIPTION | QTY | COMMENTS |
|------|-------------------------------|-------|---------------------------|
| 1 | Connector | 1 | 10mm Ø |
| 2 | Enclosure | 1 | 33mm Ø |
| 3 | Gland | 2 | M25 for HTS1FAR 3.1 & 7.1 |
| 4 | Silicone Sealant | 100ml | |
| 5 | Constant force spring | 2 | |
| 6 | Earth Braid & Coloured Sleeve | 1 | |
| 7 | Self-amalgamating tape | 1 | |

Tools required

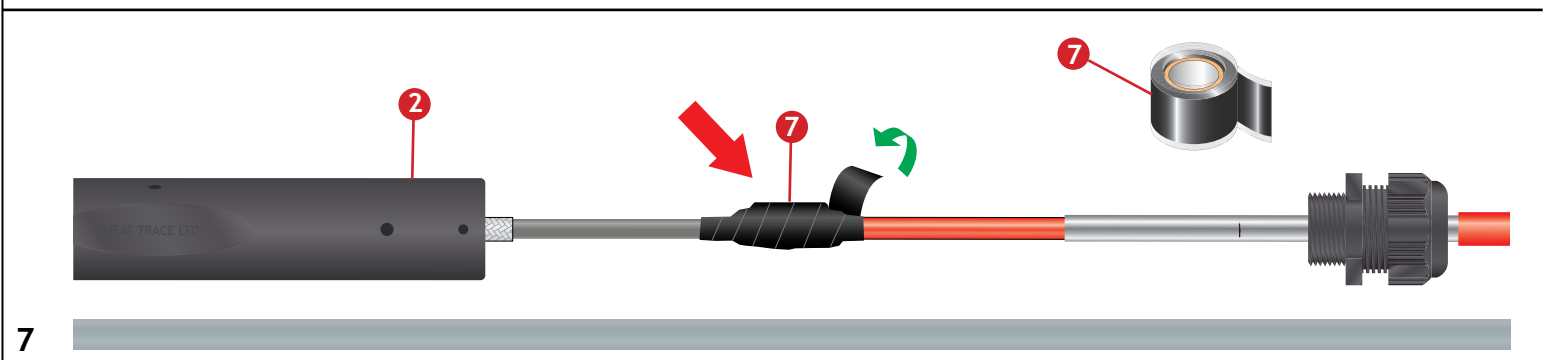
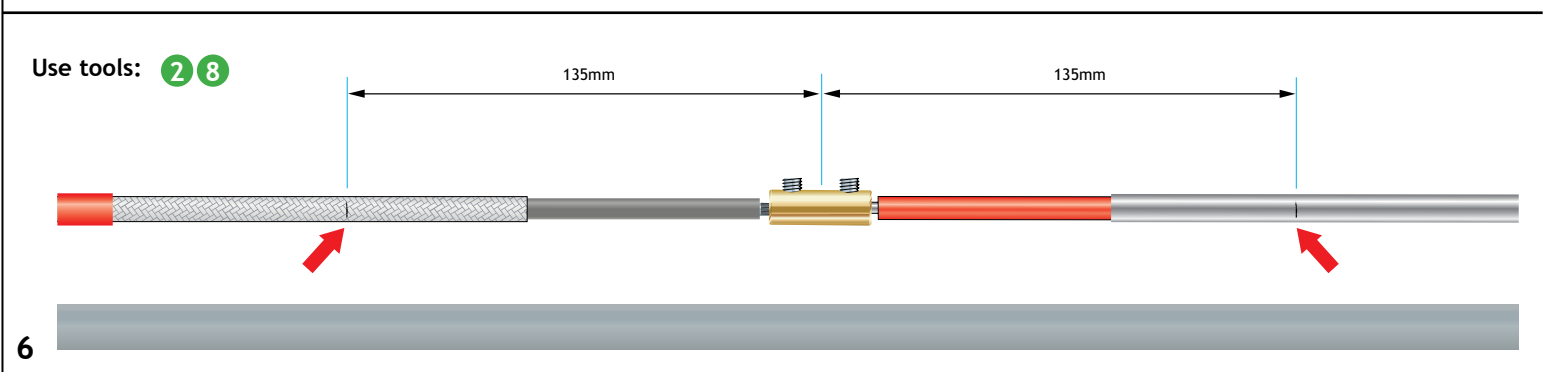
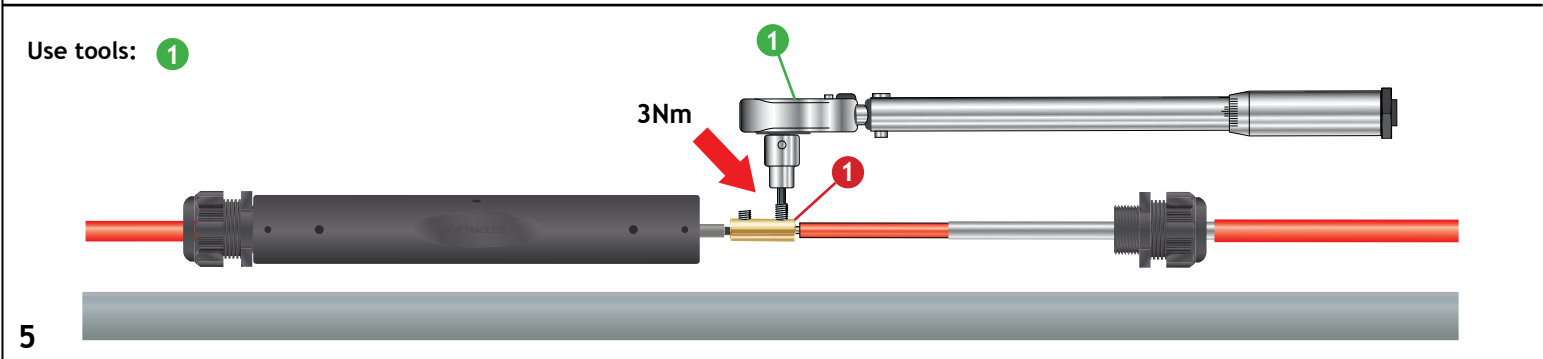
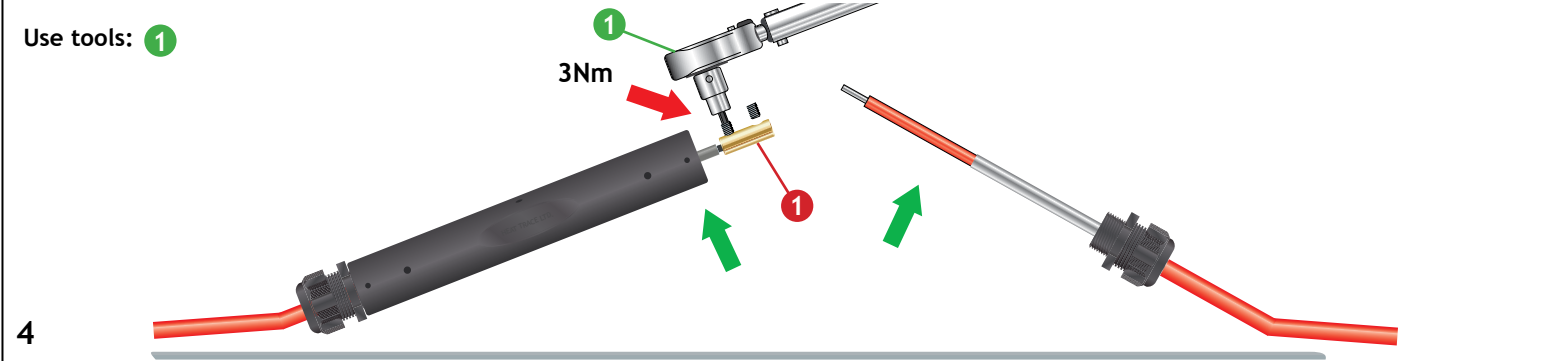
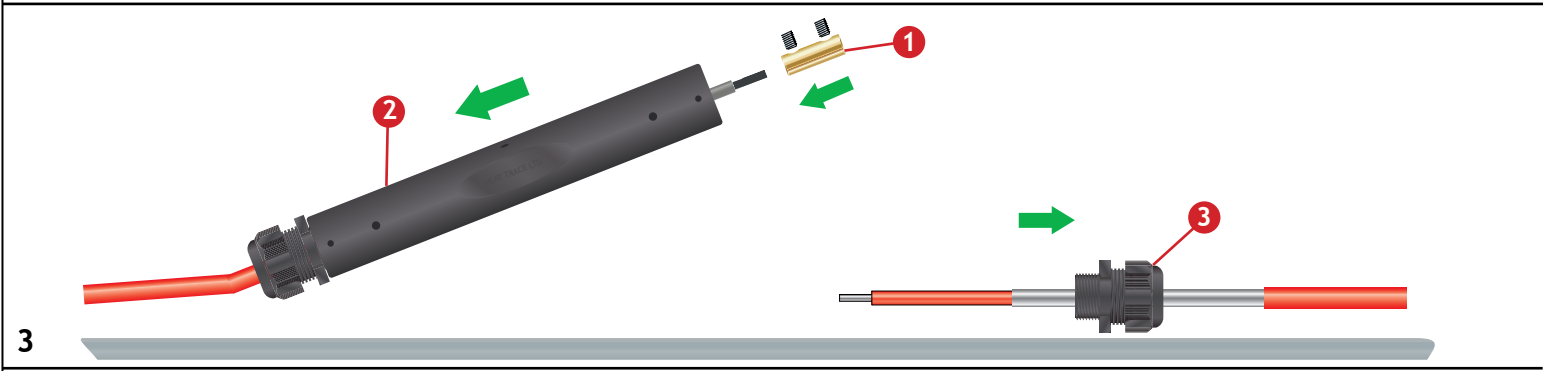
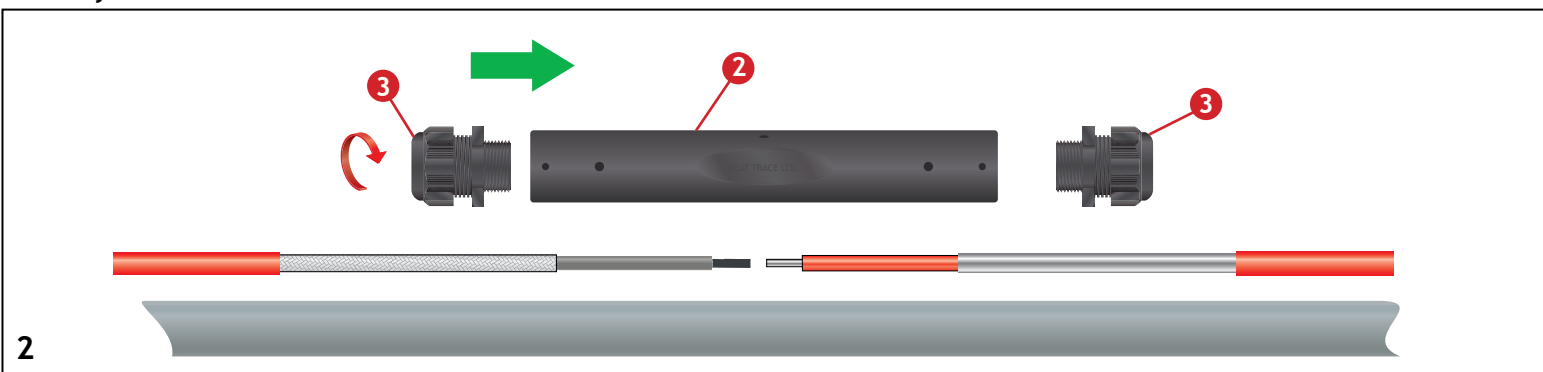


Prepare Heater Cable

Use tools: 2 5 6 8



Assembly of Termination



Assembly of Termination

