

CML 18 ATEX 3377U
 Ex II 2G D
 Ex 60079-30-1 IIC Gb
 Ex 60079-30-1 IIIC Db
 Ts=-40°C to +130°C

TK / HTS1FAR / LRG / P & B

LongLine LLR-HV Cable
 (supplied separately)
 For splice connection
 of HTS1FAR 12.6, 19.6, 28.3,
 40.0 and 60.0 heating cables.

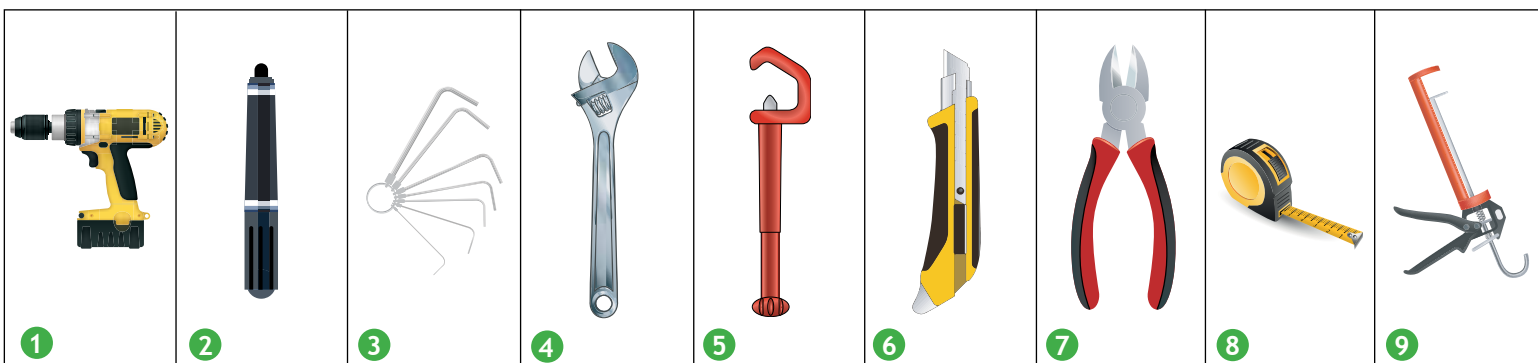


Made in the UK

(Mar 23)

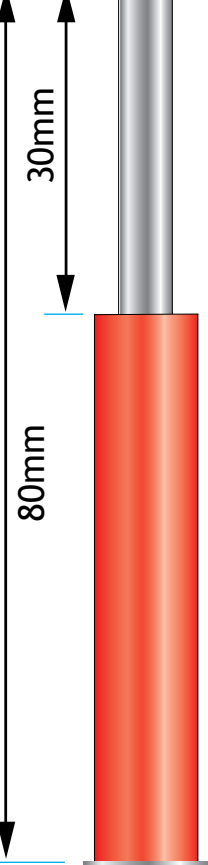
ITEM	DESCRIPTION	QTY	COMMENTS
1	Connector	1	24mm Ø
2	Enclosure	1	42mm Ø
3	Gland and Reducer	2	M32 for HTS1FAR-HV 12.6, 19.6, 28.3, 40.0 & 60.0
4	Silicone Sealant	140ml	
5	Constant force spring	2	
6	Earth Braid & Coloured Sleeve	1	
7	Self-amalgamating tape	1	

Tools required



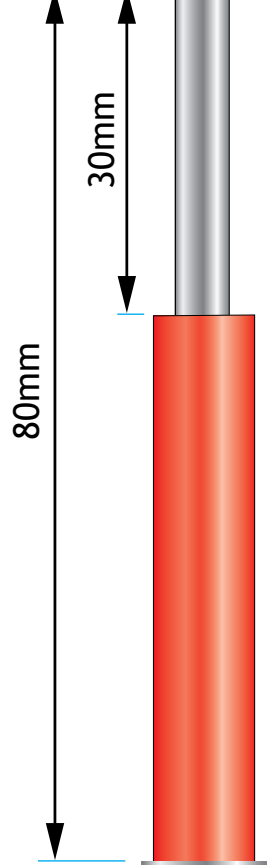
→ Prepare Heater Cable Use tools: 2 6 7 8

Heater - Aluminium outer jacket only - 19.6, 28.3, 40.0 & 60.0



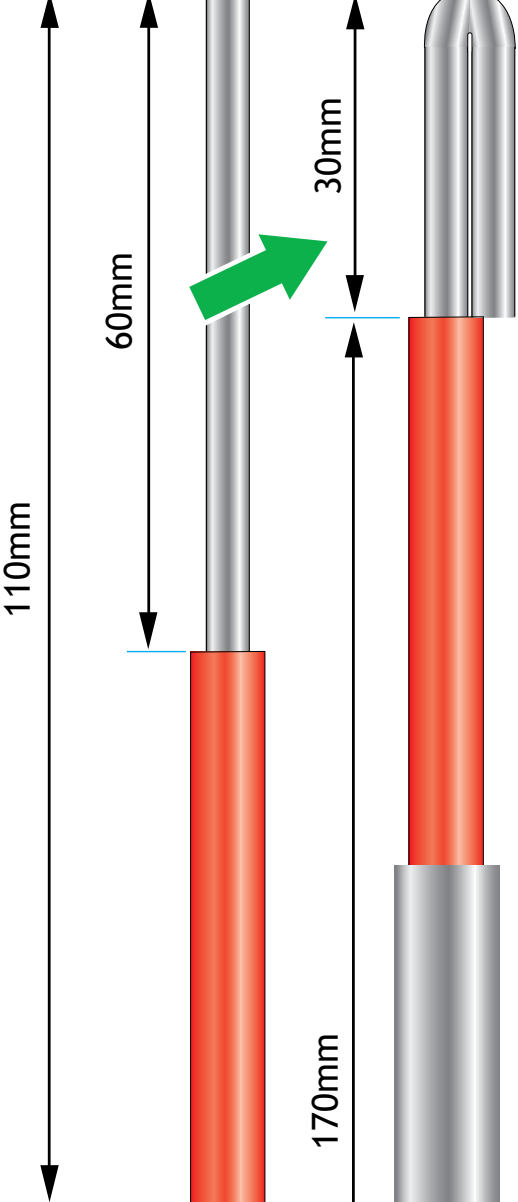
200mm

Heater - with optional outer jacket - 19.6, 28.3, 40.0 & 60.0

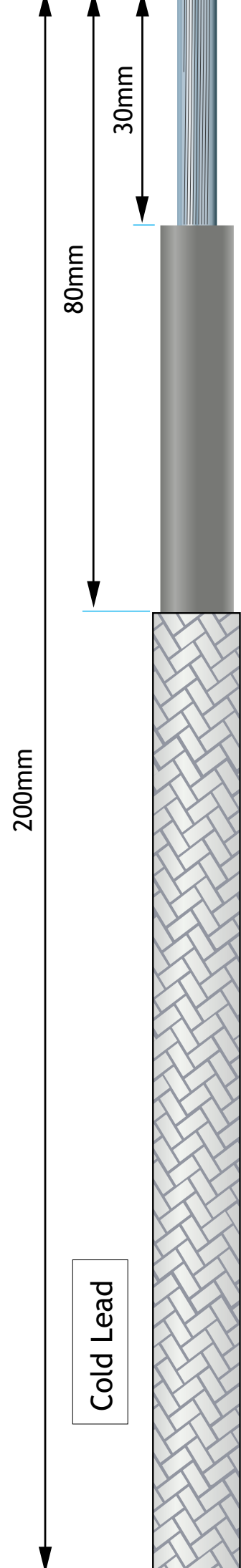


110mm

Heater - Aluminium outer jacket only - 12.6

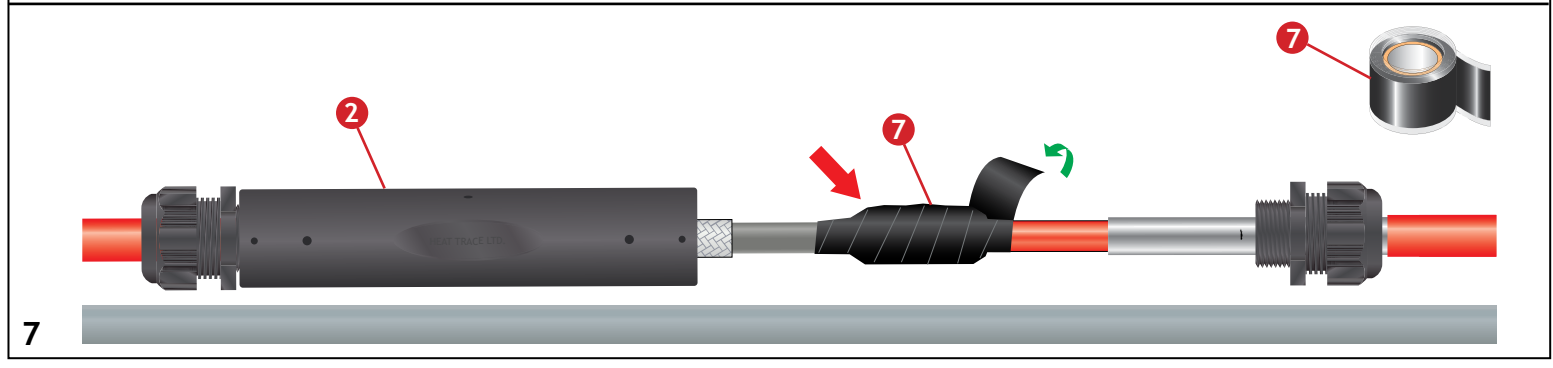
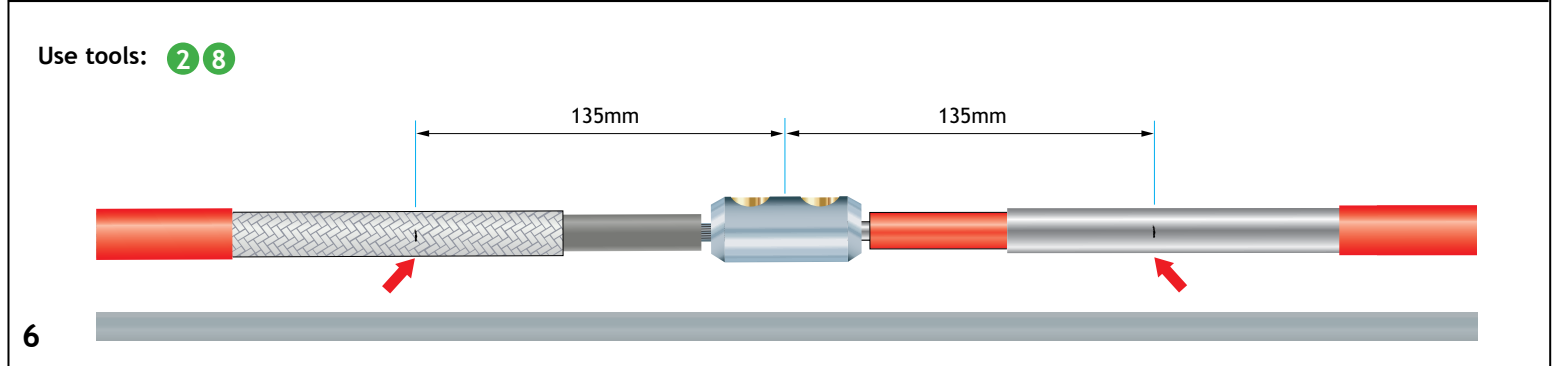
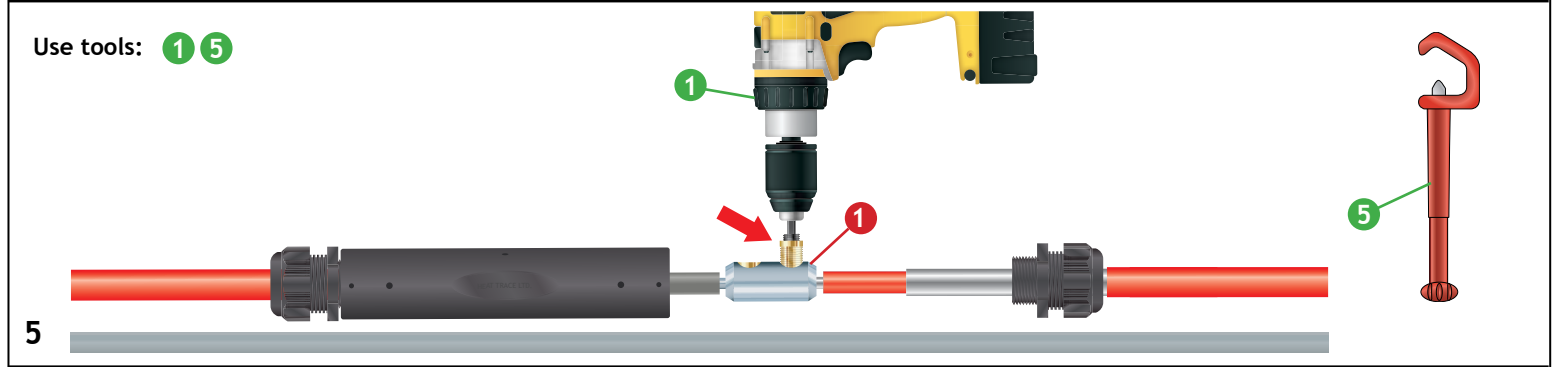
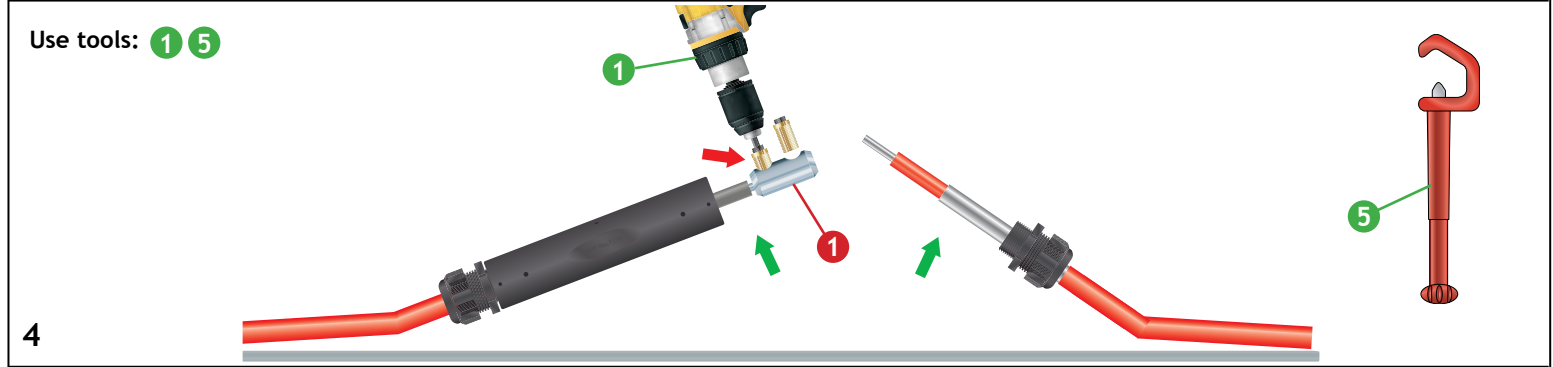
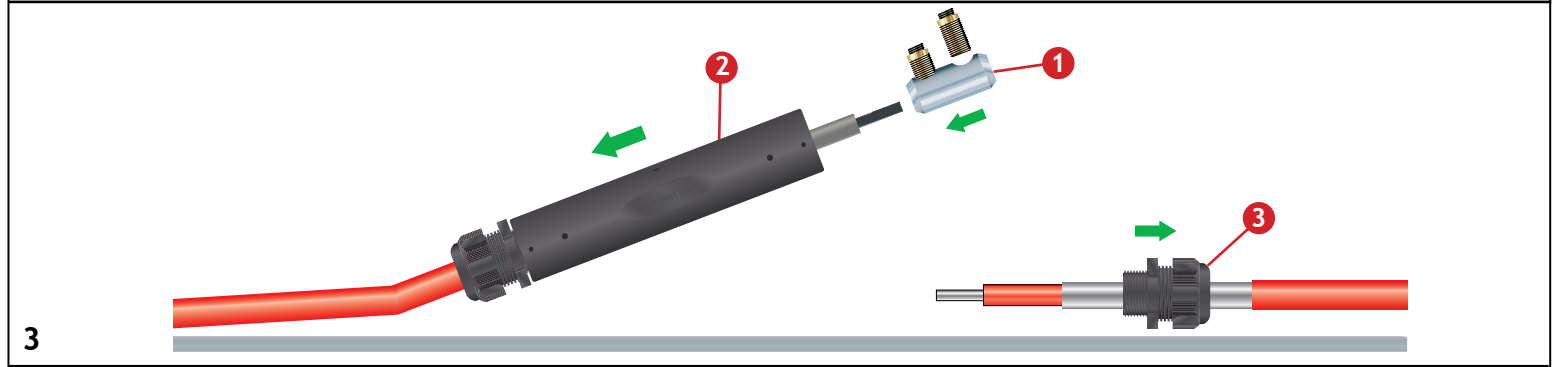
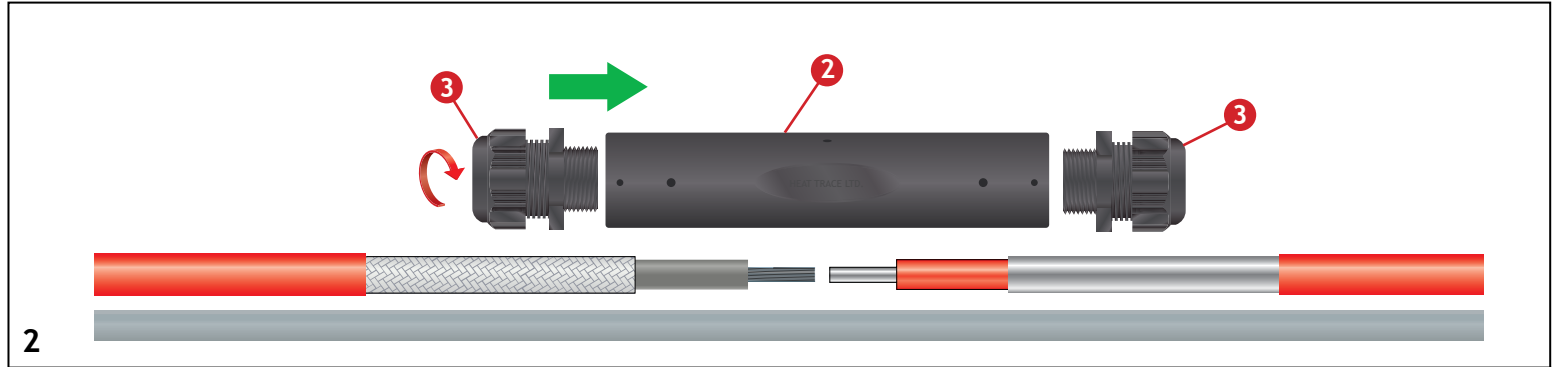


Heater - with optional outer jacket - 12.6

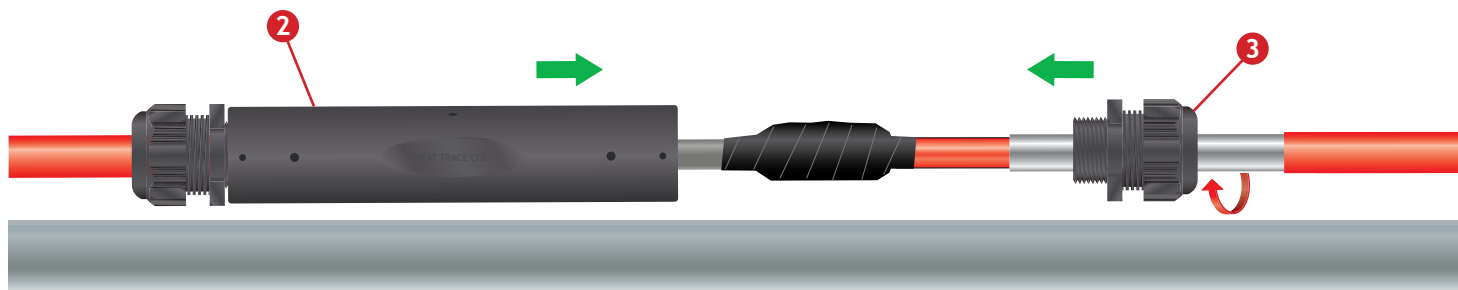


Cold Lead

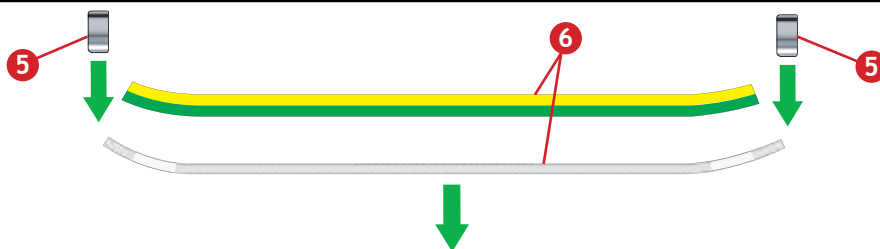
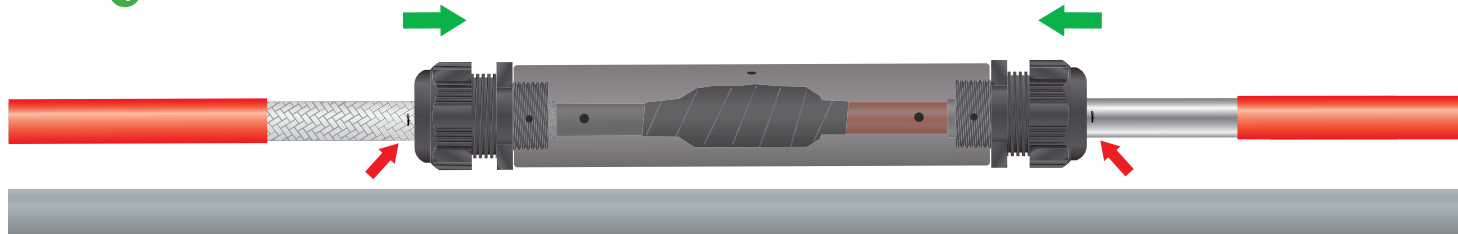
Assembly of Termination



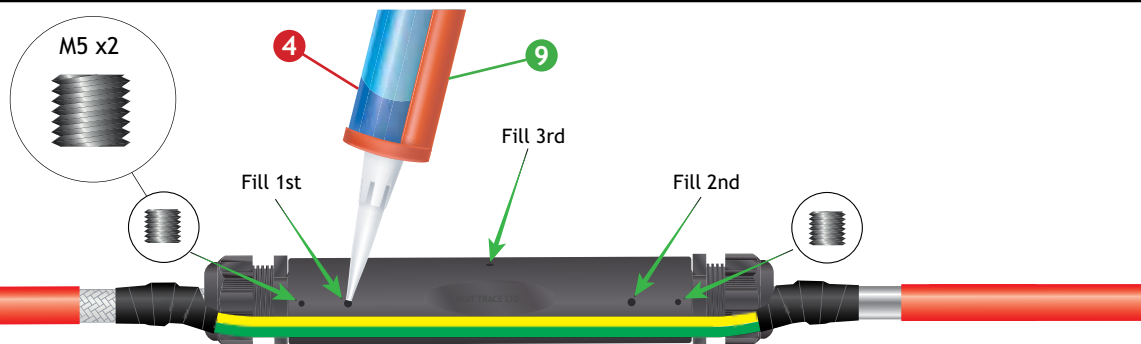
Assembly of Termination



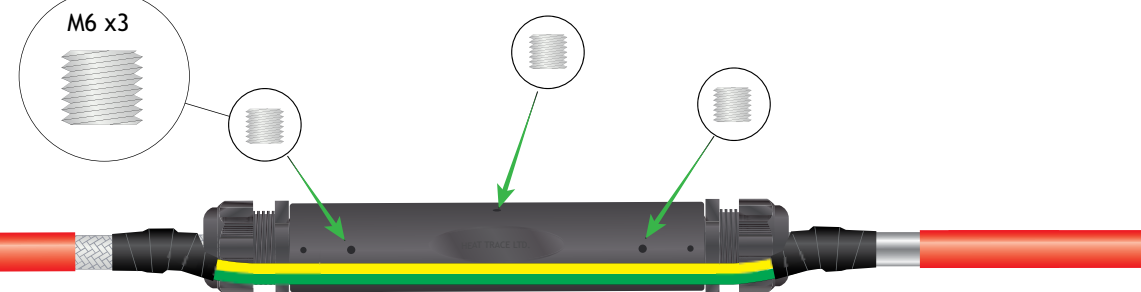
Use tools: 4



Use tools: 3 9



Use tools: 3



13