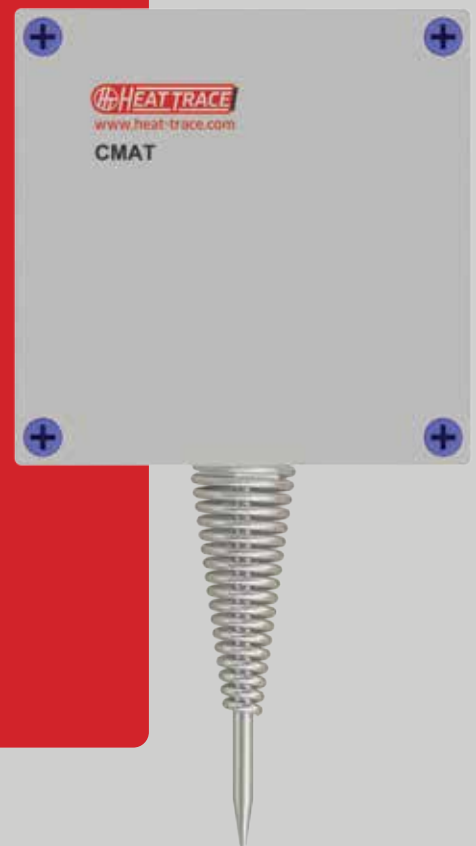


## Commercial Ambient Sensing Thermostat

Heat Trace provides a range of commercial ambient sensing thermostats that are suitable for Non-Hazardous locations. These are manufactured from Polycarbonate and can be installed even under harsh ambient conditions. These boxes may be used for direct online termination for power cable and heat tracing cable. Also, a local control through inbuilt thermostat saves a lot of control cable and also improves response time. Up to two heat tracing cables can be terminated directly to this commercial thermostat with a maximum load of 20 Amps.

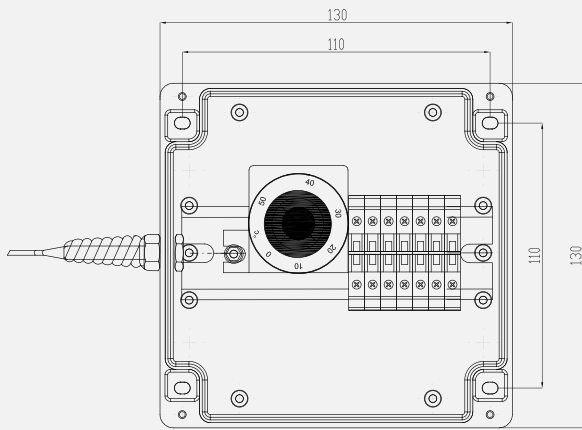
### RATINGS / SPECIFICATIONS

Dimensions:	130 x 130 x 75mm
Ingress Protection:	IP67
Area of use:	Non-Hazardous (indoor and outdoor)
Entries:	3 x M20
Base:	Grey Polycarbonate
Lid:	Grey Polycarbonate
Impact resistance:	IK 10
Ambient temperature range:	-40°C to 85°C
Voltage:	250V AC maximum
Max. conductor size:	0 - 4mm <sup>2</sup>
Current rating:	20A
Set temperature range:	0 - 40°C
Sensor Gland:	Polyamide spiral gland
Weight:	500g approx.

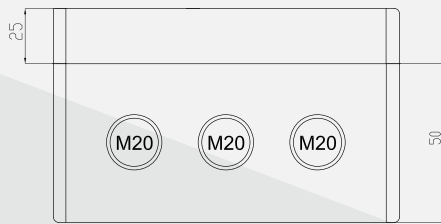


## Features

- ◆ Compact Size.
- ◆ High accuracy.
- ◆ Precise temperature setting.
- ◆ High ambient temperature range.
- ◆ Manual knob setting.
- ◆ Clip On terminals.
- ◆ Control cable connection up to 4mm<sup>2</sup>.
- ◆ CE marked.



FRONT VIEW WITHOUT LID



BOTTOM VIEW

