

JB9000

Junction box for use with electric heat tracing systems.

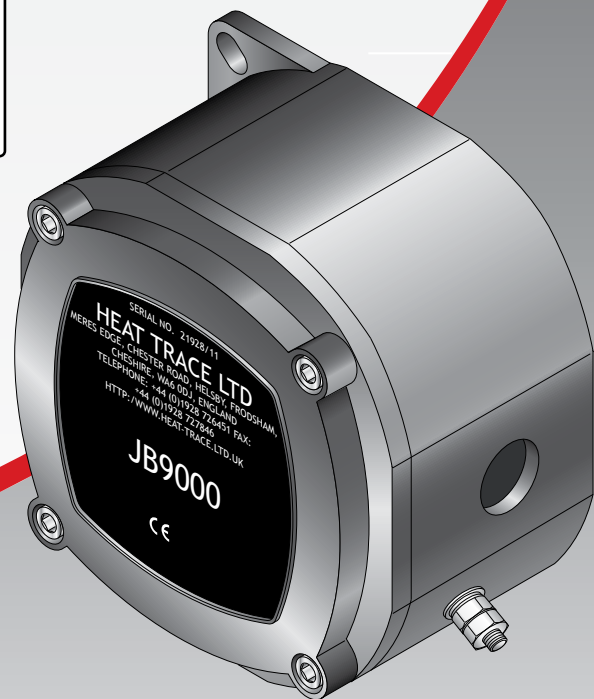
JUNCTION BOX

- Available for use in safe areas.
- Suitable for use with many styles of heating cable.
- IP66/68 rated.
- Can be used with a selection of terminals.

DESCRIPTION

Heat Trace supply quality junction boxes as part of a complete Heat Trace System. As standard, robust and corrosion resistant polyamide enclosures are supplied for use in safe (non-hazardous) areas.

The boxes, as part of the overall Heat Trace System, also meet the requirements of IEC62395 - Electric Heat Tracing for Safe Industrial Locations.



The Heat Tracing Authority™

SPECIFICATION

AMBIENT TEMPERATURE: -40°C to +50°C
(-40°F to +122°F)

MINIMUM OPERATING TEMPERATURE: -65°C (-85°F)

ENTRIES:

Standard entries are 20mm and 25mm ISO metric. Alternatives upon request are: ¾” and 1” B.S. Conduit, Pg11, 13.5, 16 and 21, ½” and ¾” N.P.T. Optional 32mm entry on one side to accommodate a DESTU.

TERMINAL BLOCKS:

Weidmuller - Klippon Terminals

TYPE	Wire Capacity mm ²		Maximum Ratings		
	MIN	MAX	VOLTS	AMPS	QTY
SAK2.5	0.5	2.5	550	15	10
SAK4	0.5	4.0	550	15	8
SAK6N	0.5	6.0	550	18	6
SAK10	2.5	10.0	550	37	4
WDU2.5	0.22	2.5	726	15	8
BK3-BK8	0.5	4.0	275	21	1
Mk6/3-4-6	0.5	6.0	418	18	1

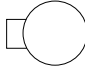
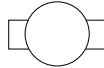



Entrelec Terminals

TYPE	Wire Capacity mm ²		Maximum Ratings		
	MIN	MAX	VOLTS	AMPS	QTY
MA2.5/5	0	2.5	380	15	10
M4/6	0	4.0	660	30	8

APPROXIMATE VOLUME: 450cm³

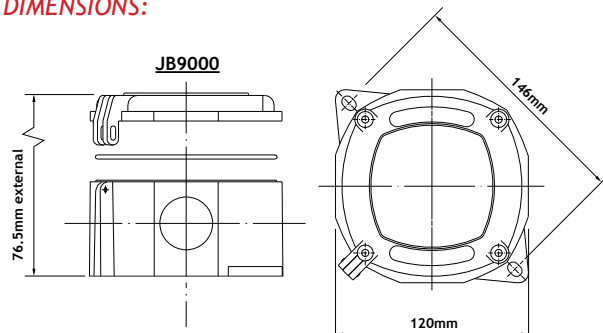
WEIGHT: 0.47kgs

ENTRY OPTIONS:

		20mm	25mm
1 Way		9001	9051
2 Way		9002	9052
3 Way		9003	9053
4 Way		9004	9054
Angle		9005	9055

To order Enclosures with alternative entries, please give a full description of your requirements.

DIMENSIONS:



MATERIAL: Glass reinforced Polyamide, Fire Retardant

FINISH: Matt Black

SPECIAL FEATURE

The enclosure has a uniquely designed hinged cover that allows the unit to remain ‘as one’ during installation.

“T” RATINGS:

The maximum current allowed per terminal way is limited to 26A for a temperature classification of T4 and 16A for temperature classification of T6. During installation the engineer must apply the relevant T Class to the certification label. Please refer to product instructions for more information.



Heat Trace Ltd, Mere’s Edge, Chester Road, Helsby, Frodsham, Cheshire, WA6 0DJ, England.
Tel: +44 (0)1928 726451
www.heat-trace.com email: info@heat-trace.com