

ATEX: CML 19ATEX3389X
IECEX: CML 19.0132X
⊕ II 2GD CE 2776
Ex 60079-30-1 IIC T6 . . T1 Gb
Ex 60079-30-1 IIIC T85°C . . T450°C Db

SK / HTS3FM
HTS3FM-CS
HTS3FM-CF
HTS3FAM-CS
HTS3FAM-CF
HTS2FM-CS
HTS2FM-CF
HTS2FAM-CS
HTS2FAM-CF
All conductor sizes.

SPECIAL CONDITIONS OF USE:

The heaters shall be installed in suitable certified terminal boxes via suitable certified terminals and cables.

Suitable cold leads shall be selected by the end user.

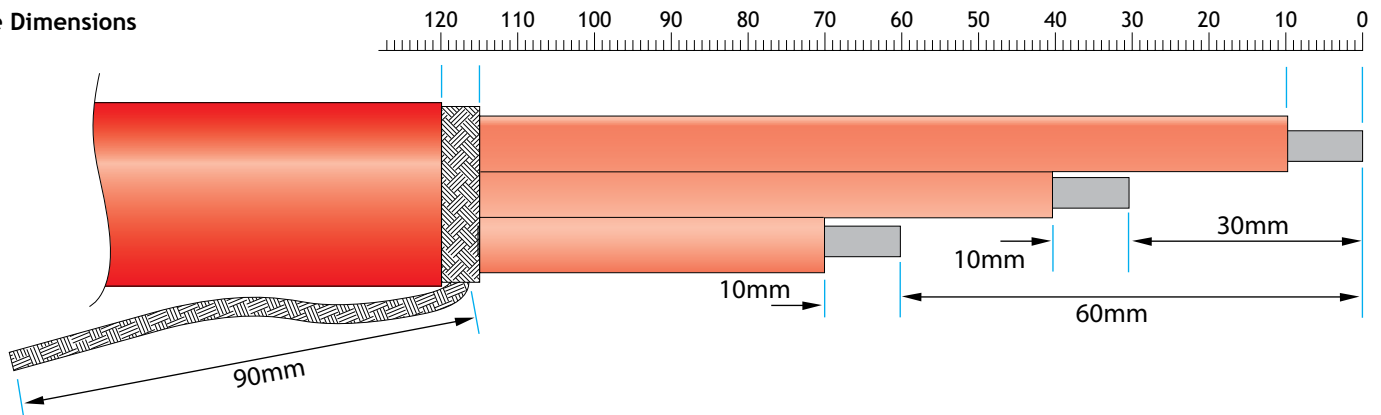
Testing for outdoor exposure in accordance with IEC 60079-30-1:2015 clause 5.1.16 was not conducted. Therefore the heating tapes and splices (permitted by this certificate) shall not be exposed to UV light, or a combination of UV light and moisture in service.

S/N: YY/NNNNN

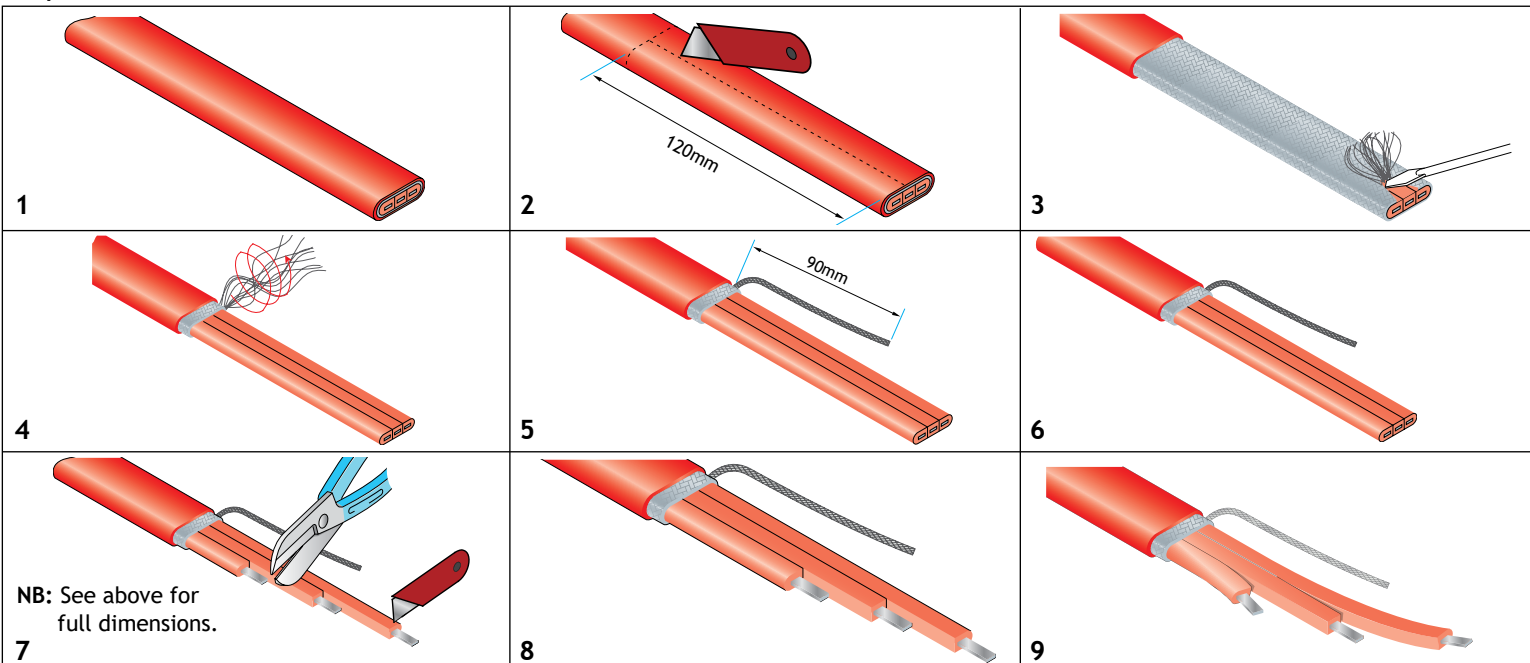


Made in the UK

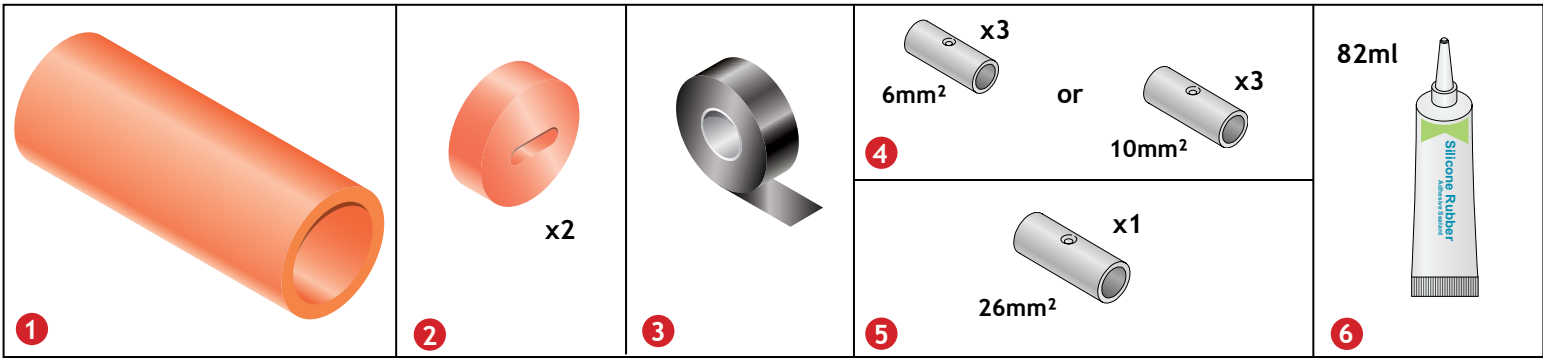
Cable Dimensions



Prepare Heater Cable



NB: See above for full dimensions.



Assembly of Joint

