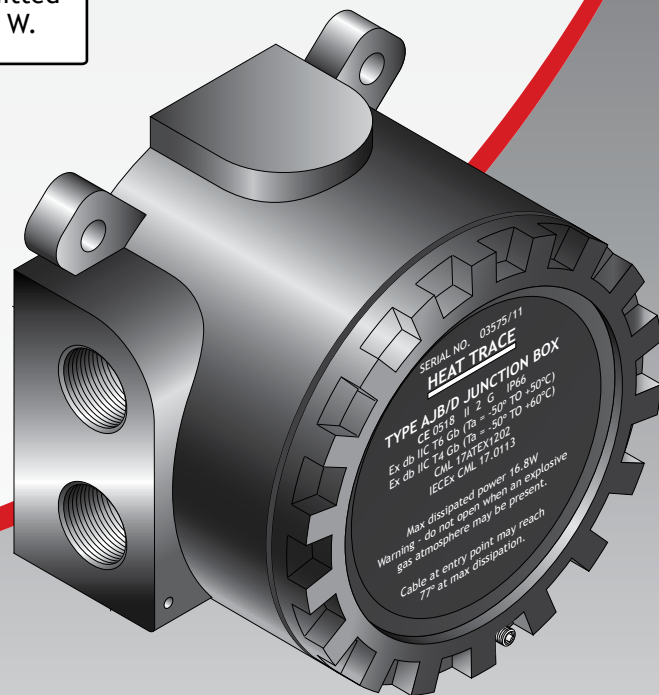


- Available for use in safe and hazardous areas.
- Enclosures suitable for Gas groups IIA, IIB and IIC.
- IP66 rated.
- Full range of accessories and termination kits available.

INTRODUCTION

The AJB/D Junction Box comprises a cylindrical die cast aluminium enclosure with a threaded cover. The cover incorporates a sealing ring to offer weatherproofing. The enclosure has four lugs with plain holes that are used to fix the enclosure to the mounting surface. Cable entry holes are provided for the accommodation of suitably certified cable glands or stopping plugs between the fixing lugs. External and internal earthing facilities are provided.

The AJB/D Junction Box is fitted with a general purpose terminal block, with maximum permitted dissipated power inside the enclosure is 16.8 W.



The Heat Tracing Authority™

SPECIFICATION

TERMINAL BLOCKS:

Weidmuller - Klippon Terminals

Maximum Terminal Block Dimensions 83(L) x 33(W) x 26.5(H)

Wire Capacity (mm ²)			Maximum Ratings		
Type	Min	Max	Volts	Amps	Qty
SAK2.5	0.5	2.5	550	15	10
SAK4	0.5	4.0	550	15	8
SAK6N	0.5	6.0	550	18	6
SAK10	2.5	10	550	37	4
WDU2.5	0.22	2.5	726	15	8
BK3-BK8	0.5	4.0	275	21	1
MK6/3-4-6	0.5	6.0	418	18	1

Entrelec Terminals

Wire Capacity (mm ²)			Maximum Ratings		
Type	Min	Max	Volts	Amps	Qty
MA2.5/5	0	2.5	380	15	10
M4/6	0	4.0	660	30	8

TERMINALS: Electrical connections 2.5mm² terminals (incoming/outgoing)

MAX. POWER DISSIPATION: 16.80W

APPROX VOLUME: 560cm³

APPROVAL DETAILS:

ATEX - CML 19ATEX1461
 IECEX - IECEX CML 17.0113
 UKEX - CML 21UKEX11134

EQUIPMENT MARKING:

Ex II 2 G
 Ex db IIC T6 Gb
 Ta= -50°C ≤ Ta ≤ +50°C
 Ex db IIC T4 Gb
 Ta= -50°C ≤ Ta ≤ +60°C

INGRESS PROTECTION: IP66

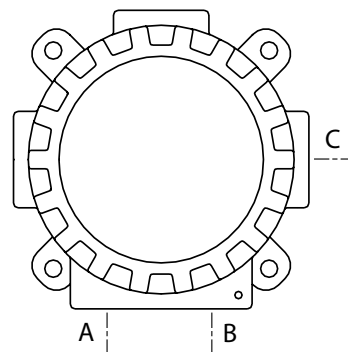
ENCLOSURE: AJB/D

Material: Cast Aluminium
 Finish: Anodised black, Paint, Powder Coating or Epoxy
 Conduit entries: 3 x 6 - 25mm Diameter
 Dimensions: 130 x 130 x 93mm
 Weight: 4.3kg
 Protection: Ex(db)
 Area Suitability: Zone 1 or 2 IIA or IIB or IIC

EARTHING: Internal and external earthing options available.

ENTRIES:

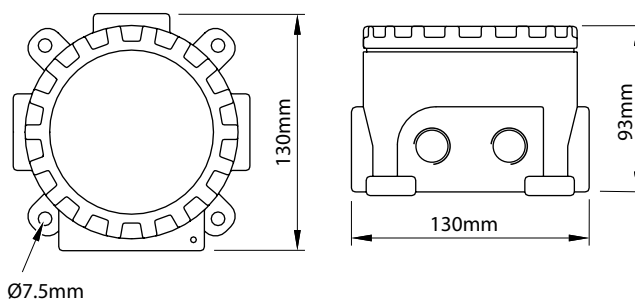
Standard entries are 3 x M20 x 1.5. Alternatives upon request are: M16 x 1.5 and M25 x 1.5. To order Enclosures with alternative entries, please provide a full description of your requirements.



BLANKING PLUGS:

The equipment is not supplied with blanking plugs or cable glands, it is the responsibility of the user to ensure that suitably certified glands/plugs are fitted that do not affect the type of protection. A bottom entry may also be fitted with Peppers type 781D breather / drain plug. (Sira 10ATEX1307U / IECEX SIR 10.0149U). Only use approved termination methods that are provided.

DIMENSIONS:



Heat Trace Ltd, Mere's Edge, Chester Road, Helsby, Frodsham, Cheshire, WA6 0DJ, England.
 Tel: +44 (0)1928 726451 Fax: +44 (0)1928 727846
 www.heat-trace.com Email: info@heat-trace.com