

# One Way Heat Tracing Power Junction Box with Indicator Light (R160/1W/EOL/R, R200/1W/EOL/R)

Junction Box for a Single Heat Tracing Cable with Indication Light.

**R Series Solution**

- Available for use in safe and hazardous areas.
- Enclosures suitable for Gas Group IIA, IIB and IIC.
- Ingress Protection IP66.
- Full range of accessories and termination kits available.
- LED light for 'On' indication of heat tracing.

## INTRODUCTION

As part of our commitment to innovation in the industry, Heat Trace Ltd is offering a customised Exd solution.

This junction box is designed to accept one power cable and connect to one heat cable. It includes a fitted red lamp that illuminates when the circuit is energised providing a visual indication that the circuit is energising as required.

As part of planned preventative maintenance, the circuit can be manually energised and a visual check will confirm that the heating cable is receiving power which will ensure that the power cable between the power supply source and junction box is healthy.

The junction box can be provided in sizes, R160 (160mm Dia) and R200 (200mm Dia) which can be configured/customised based on your equipment.

The junction boxes may be used in safe areas, or Zone 1 or 2 hazardous areas.

As standard, the enclosure is made of high grade, cast aluminium and painted with RAL 7035 paint. Other options of material for the construction of the enclosure, and paint shade are available on request.



The Heat Tracing Authority™

## SPECIFICATION

### ENCLOSURE:

Material:	Standard Copper Free Aluminium
Paint shade:	RAL 7035, light grey
Protection:	EX (db) - IP66
Rated voltage:	1.1kV AC / DC
Area suitability:	Zone 1 / Zone 2, IIA / IIB / IIC
Cable entries:	3 off (1 for power cable, 1 for heat tracing cable & 1 for indication lamp)
Earthing:	Internal and external earthing
Number of Terminals:	5 off ( 2 Live, 2 Neutral & 1 Earth)
Indication lamp:	Red
Supply voltage:	230V AC

### APPROVAL DETAILS:

ATEX	-	CML 23ATEX1502X
IECEX	-	IECEX CML 23.0177X
UKCA	-	CML 23UKEX1503X

### EQUIPMENT MARKING:

#### IECEX:

Gas: Ex db IIC T6/T5 Gb  
Dust: Ex tb IIIC T85°C/T100°C Db  
-60°C or -20°C <Ta< +45°C / +60°C /  
+75°C

#### ATEX/UKCA:

Gas: Ⓜ II 2 G D Ex db IIC T6/T5 Gb  
Dust: Ⓜ II 2 G D Ex tb IIIC T85°C/T100°C Db  
-60°C or -20°C <Ta< 45°C / +60°C /  
+75°C

### STANDARD KIT CONTENT:

- Junction box with specified entries fitted with Din rail, terminal & accessories (terminal, end plate, stopper, shorting link, terminal marker which ever is applicable).
- 2 off stainless steel earthing studs.
- O ring, grub screw, allen key for grub screw.
- Stainless steel certification plate.
- Stainless steel tag plate.
- 2 off M8x12 Stainless nut, bolt and washer sets for mounting.
- Cable entry marking sticker.
- External earthing stud is fitted with PVC sleeved copper lug.
- Earthing sticker
- Instruction manual

### SAFE USE:

Only certified cable glands & accessories of required Ex protection shall be used.

Each entry shall have no more than one thread adaptor. A stopping plug shall not be used with a thread adaptor.

If holes or unused cable entry are left open, explosion protection can no longer be guaranteed.

Close open holes using stopping plugs approved for required type of protection.

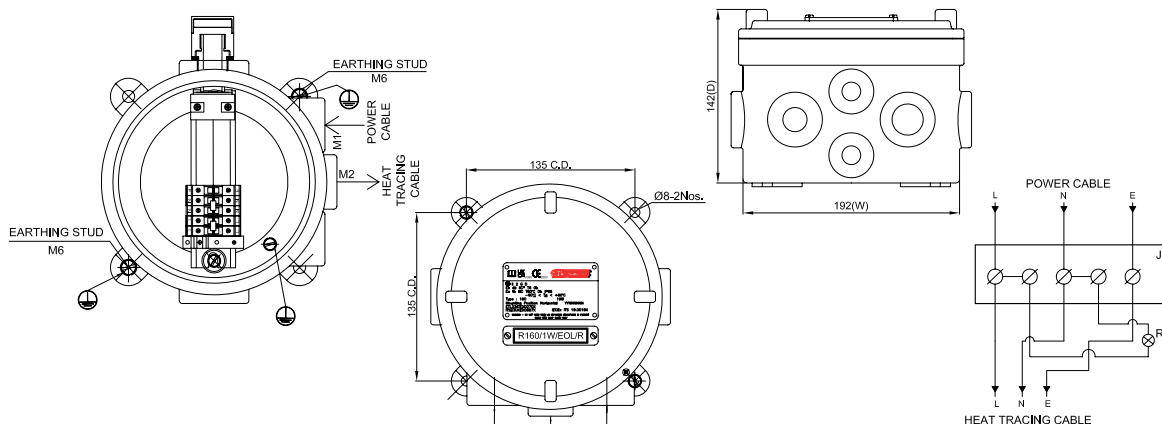
### MORE CUSTOMISATION ON REQUEST:

Please ask for price and delivery for the options below:

- Paint shade other than RAL 7035 can be offered on request.
- Enclosure stainless steel, cast iron.
- Installation accessories, cable gland for power cable, tracer gland, pipe mounting support bracket & pipe straps.
- Alternate make or type of terminals.

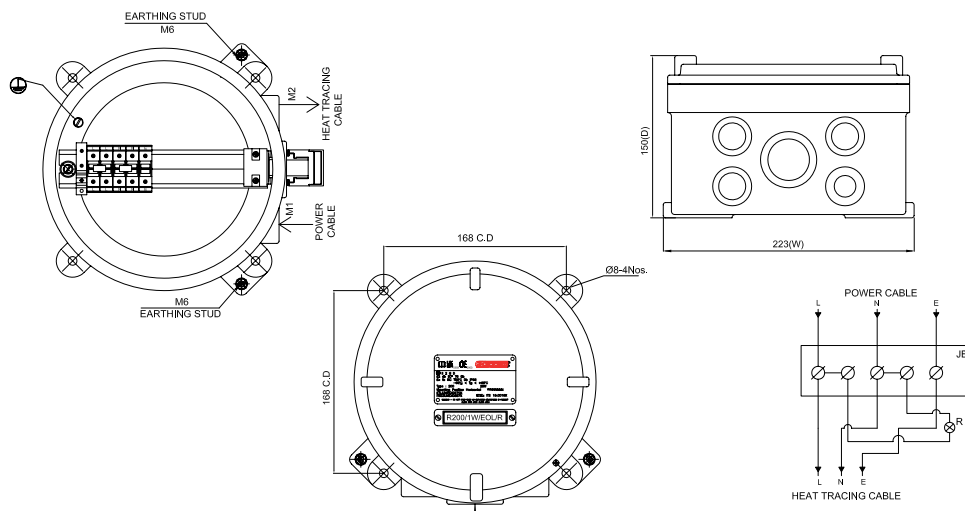
# ONE WAY HEAT TRACING POWER JUNCTION BOX WITH INDICATOR LIGHT

PART NO. : R160/1W/EOL/R\*



S/N	Description	Part number*	Power cable size (mm <sup>2</sup> )	Tightening torque (Nm)	Entry size for** Power cable M1	Entry size for** Heat tracing cable M2
1	One way heat	R160/1W/EOL/R/2.5/A	3C x 2.5	0.4	M20	M20
2	tracing power	R160/1W/EOL/R/2.5/B	3C x 2.5	0.4	M20	M25
3	junction box	R160/1W/EOL/R/4/A	3C x 4	0.5	M20	M20
4	with	R160/1W/EOL/R/4/B	3C x 4	0.5	M20	M25
5	light indicator	R160/1W/EOL/R/6/A	3C x 6	0.8	M20	M20
6		R160/1W/EOL/R/6/B	3C x 6	0.8	M20	M25

PART NO. : R200/1W/EOL/R\*



S/N	Description	Part number*	Power cable size (mm <sup>2</sup> )	Tightening torque (Nm)	Entry size for** Power cable M1	Entry size for** Heat tracing cable M2
1	One way heat	R200/1W/EOL/R/10/A	3C x 10	1.2	M25	M20
2	tracing power	R200/1W/EOL/R/10/B	3C x 10	1.2	M25	M25
3	junction box	R200/1W/EOL/R/16/A	3C x 16	1.2	M25	M20
4	with light indicator	R200/1W/EOL/R/16/B	3C x 16	1.2	M25	M25

\*\* Equivalent NPT entries can be provided on request.

Note: 1) All dimensions are in mm with tolerance of ±5%.

2) External earthing stud is fitted with PVC sleeved copper lug.



Heat Trace Ltd, Mere's Edge, Chester Road, Helsby, Frodsham, Cheshire, WA6 0DJ, England.

Tel: +44 (0)1928 726451

www.heat-trace.com

Email: info@heat-trace.com

The information given herein, including drawings, illustrations and schematics are intended for illustration purposes only. Heat Trace Ltd makes no warranties as to its accuracy or completeness and disclaims any liability in connection with its use. Users of Heat Trace Ltd products should make their own evaluation to determine the suitability of each such product for specific applications. In no way will Heat Trace Ltd be liable for any damages arising out of the misuse, resale or use of the product.