

End Box with Indicator Light

(R100/EOL/R)

Illuminated end-of-line Junction Box

R Series Solution

- Available for use in safe and hazardous areas.
- Enclosures suitable for Gas Group IIA, IIB and IIC.
- Ingress Protection IP66.
- Full range of accessories and termination kits available.

INTRODUCTION

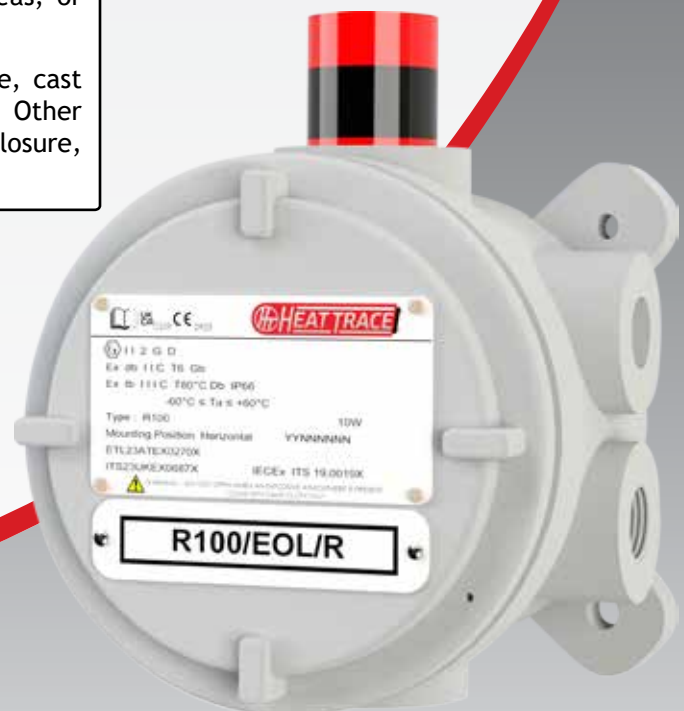
As part of our commitment to innovation in the industry, Heat Trace Ltd is offering a customised Exd solution.

This illuminated end-of-line junction box is used to terminate the remote end of the heating cable above the insulation. When the circuit is energised, the lamp will illuminate to show that power is being received.

As part of planned preventative maintenance, the circuit can be manually energised and a visual check will confirm that the heating cable is receiving power.

The lighted end box can be installed in safe areas, or Zone 1 or 2 hazardous areas.

As standard, the enclosure is made of high grade, cast aluminium and painted with RAL 7035 paint. Other options of material for the construction of the enclosure, and paint shade are available on request.



The **Heat Tracing Authority™**

SPECIFICATION

ENCLOSURE:

Material:	Standard Copper Free Aluminium
Paint shade:	RAL 7035, light grey
Protection:	EX (db) - IP66
Rated voltage:	1.1kV AC / DC
Area suitability:	Zone 1 / Zone 2, IIA / IIB / IIC
Cable entries:	2 off (1 for heat tracing cable & 1 for indication lamp)
Earthing:	Internal and external earthing
Indication Lamp:	Red
Operating voltage:	230V AC
Number of terminals:	3 off (1 live, 1 Neutral & 1 Earth)

APPROVAL DETAILS:

ATEX	-	CML 23ATEX1502X
IECEX	-	IECEX CML 23.0177X
UKCA	-	CML 23UKEX1503X

EQUIPMENT MARKING:

IECEX:

Gas: Ex db IIC T6/T5 Gb
Dust: Ex tb IIIC T85°C/T100°C Db
-60°C or -20°C <Ta< +45°C / +60°C / +75°C

ATEX/UKCA:

Gas: Ⓢ II 2 G D Ex db IIC T6/T5 Gb
Dust: Ⓢ II 2 G D Ex tb IIIC T85°C/T100°C Db
-60°C or -20°C <Ta< 45°C / +60°C / +75°C

STANDARD KIT CONTENT:

- Junction box with specified entries fitted with red LED indication Terminal & accessories (terminal, end plate, terminal marker whichever is applicable).
- 2 off stainless steel earthing studs.
- O ring, grub screw, allen key for grub screw.
- Stainless steel certification plate.
- Stainless steel tag plate.
- 2 off M8x12 Stainless nut, bolt and washer sets for mounting.
- Cable entry marking sticker.
- External earthing stud is fitted with PVC sleeved copper lug.
- Earthing sticker.
- Instruction manual.
- Wiring diagram.

SAFE USE:

Only certified cable glands & accessories of required Ex protection shall be used.

Each entry shall have no more than one thread adaptor. A stopping plug shall not be used with a thread adaptor.

If holes or unused cable entry are left open, explosion protection can no longer be guaranteed.

Close open holes using stopping plugs approved for required type of protection.

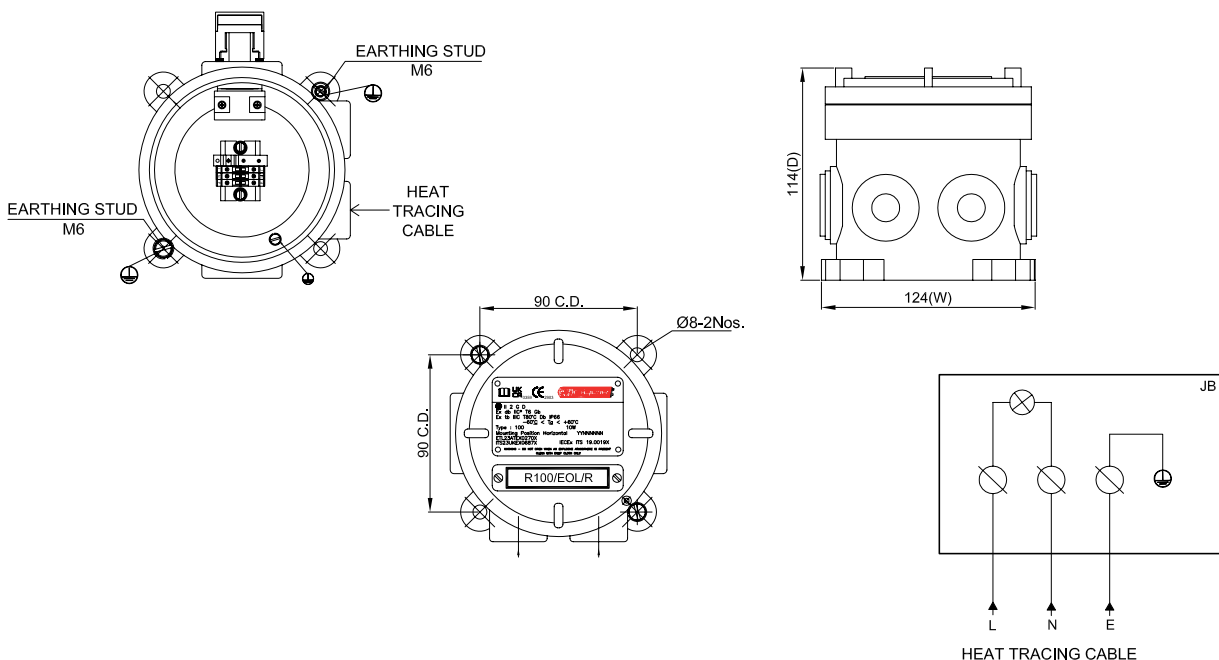
MORE CUSTOMISATION ON REQUEST:

Please ask for price and delivery for the options below:

- Paint shade other than RAL 7035 can be offered on request.
- Enclosure stainless steel, cast iron.
- Installation accessories, cable gland for cable, pipe mounting support bracket & pipe straps.

END BOX WITH INDICATOR LIGHT

PART NO. : R100/EOL/R*



S/N	Description	Part number*	Entry size for** Heat tracing cable
1	End box with	R100/EOL/R/A	M20
2	indicator light	R100/EOL/R/B	M25

** Equivalent NPT entries can be provided on request.

Note: 1) All dimensions are in mm with tolerance of ±5%.

2) External earthing stud is fitted with PVC sleeved copper lug.



Heat Trace Ltd, Mere's Edge, Chester Road, Helsby, Frodsham, Cheshire, WA6 0DJ, England.
 Tel: +44 (0)1928 726451
 www.heat-trace.com Email: info@heat-trace.com

The information given herein, including drawings, illustrations and schematics are intended for illustration purposes only. Heat Trace Ltd makes no warranties as to its accuracy or completeness and disclaims any liability in connection with its use. Users of Heat Trace Ltd products should make their own evaluation to determine the suitability of each such product for specific applications. In no way will Heat Trace Ltd be liable for any damages arising out of the misuse, resale or use of the product.