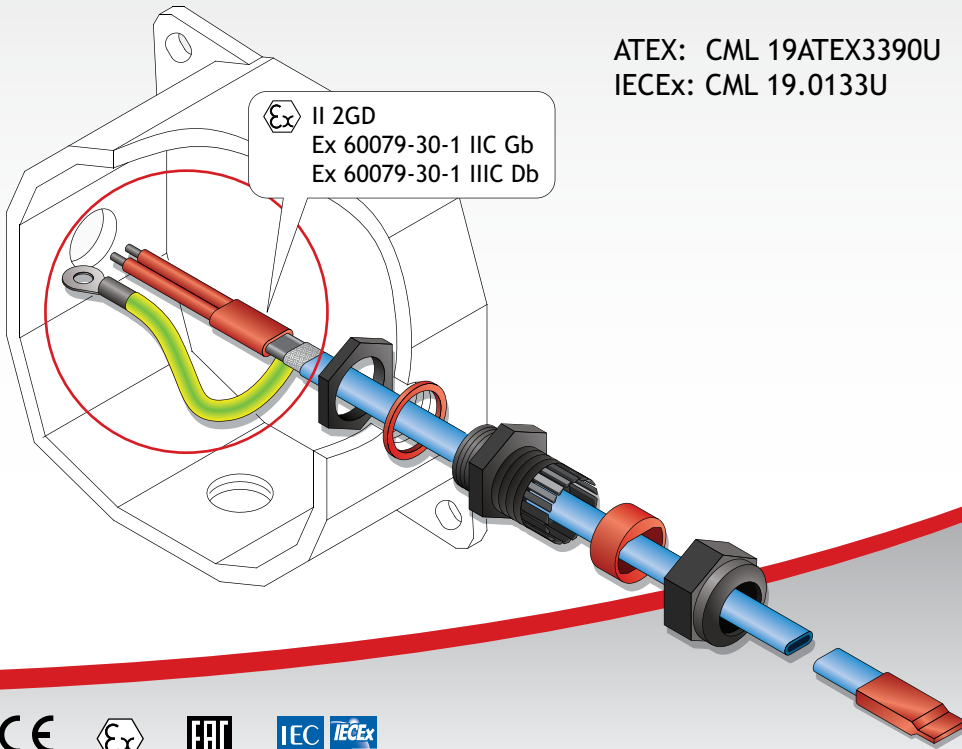


ATEX: CML 19ATEX3390U
IECEx: CML 19.0133U

Ex II 2GD
Ex 60079-30-1 IIC Gb
Ex 60079-30-1 IIIC Db



BPS4

FSM-C	FLVw-C	EMTS-C
FSM-CT	FLVw-CT	EMTS-CS
FSM-CF	FLVw-CF	EMTS-CF
FSR-C	FSS-C	EMTF-C
FSR-CT	FSS-CF	EMTF-CF
FSR-CF	FSU-N	MTF-C
FSE-C	FSU-NF	MTF-CF
FSE-CT	SM-A	MTFJ-C
FSE-CF		MTFJ-CF
GT		PHT-N
		PHT-NF
		AHT
		HWR-T
		HWP-T



Made in the UK

PGS#	BPS4							BES#	RTV0.5		

SPECIAL CONDITIONS FOR SAFE USE:

These termination kits and the cable that enters them shall be fixed to a secure mounting point.

The component shall only be used with constant power or self-regulating trace heating cables within the following ranges:
-40°C to 180°C (Standard RTV), -40°C to 250°C (High temperature RTV).

This is particularly relevant when the trace heating cable is installed on pipework that has a temperature outside these ranges, in this situation, the termination devices shall be positioned outside the insulation, and the user/installer shall ensure that they are not exposed to UV radiation.

