

# HES & HPS

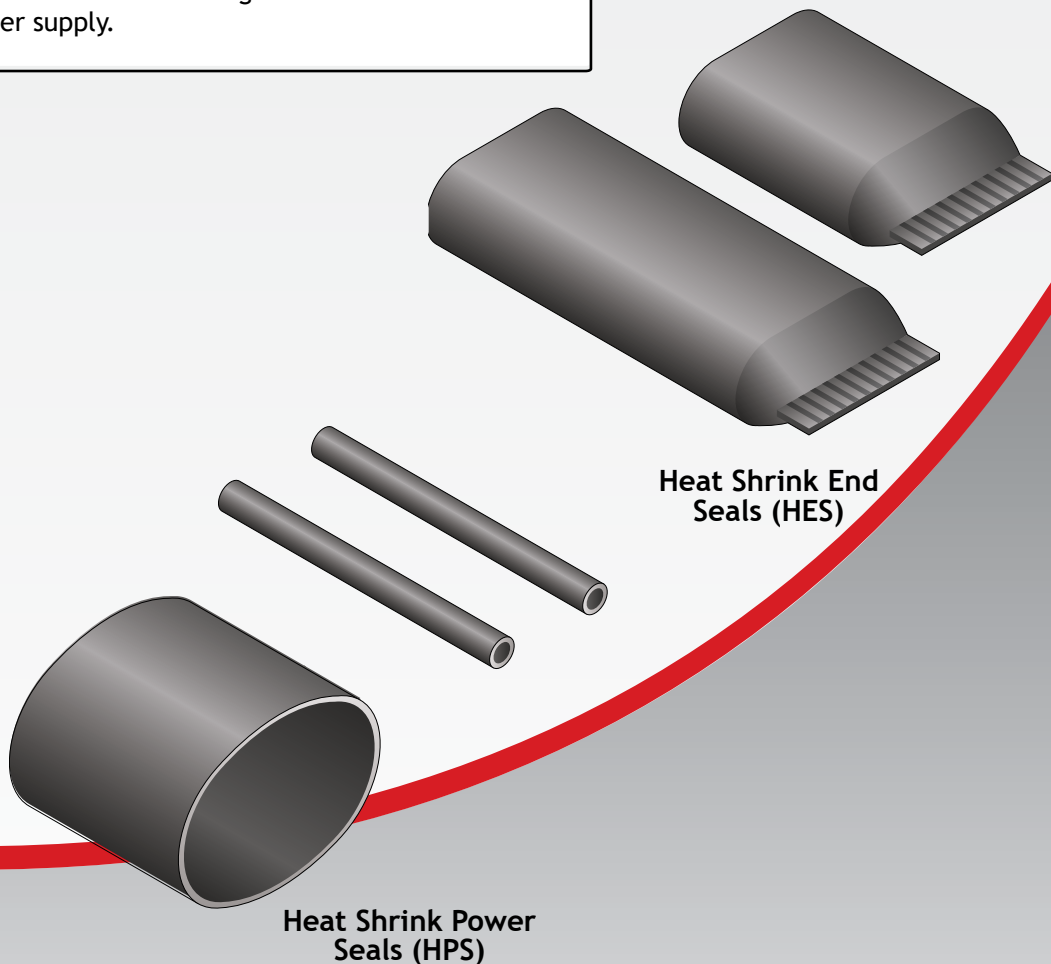
Heat Shrink Tubing

## HEATSHRINK

- IP67 rated.
- High strength bonding.
- Suitable for use in Safe and Hazardous areas.
- Certified to be used with all Heat Trace self-regulating cables.

### DESCRIPTION

A range of heat shrink tubing including heat shrink end seals (HES2) and heat shrink power seals (HPS2). A flame retardant, flexible material designed to provide a protective seal for the end of the cable whilst enabling it to be connected to the power supply.



The Heat Tracing Authority™

## SPECIFICATION

	HES	HPS
<b>OPERATING TEMPERATURE RANGE:</b>	-40°C to 105°C -40°F to 221°F	-40°C to 90°C -40°F to 194°F
<b>MIN SHRINK TEMPERATURE:</b>	80°C (176°F)	90°C (194°F)
<b>SHRINK RATIO:</b>	4:1	2:1
<b>INGRESS PROTECTION:</b>	IP67	


### SUITABLE FOR USE WITH:

HES	FSM-Cx; FSR-Cx; FSE-Cx; FSEw-Cx; FLVw-Cx; FSS-Cx; FSU-Nx; FSUw-Nx AHT; MTFJ-Cx; PHT-Nx
HPS	FSM-Cx; FSR-Cx; FSE-Cx; FSEw-Cx; FLVw-Cx; FSS-Cx; FSU-Nx; FSUw-Nx AHT; MTFJ-Cx; PHT-Nx

### APPROVAL DETAILS:

ATEX	-	CML 19ATEX3390U
IECEX	-	CML 19.0133U
UKEX	-	CML 21UKEX31146U
CSA Safe	-	1295278, 1352981
CSA Haz	-	1350782, 1547590
EAC	-	EA3C RU C-GB.HA65.B.01385/22

### ATEX & UKEX MARKINGS:

 II 2 GD  
 Ex 60079-30-1 IIC Gb  
 Ex 60079-30-1 IIIC Db

### COMPONENTS:

HES	20mm Heat Shrink End Seal 50mm Heat Shrink End Seal Ring Crimp (for braided cables)
HPS	Heat Shrink Power Seal Earth Sleeve Ring Crimp (for braided cables) Caution Label

### ORDERING INFORMATION:

Example: \_\_\_\_\_ **HES 2**

End Seal \_\_\_\_\_  
Size of Seal\* \_\_\_\_\_

Example: \_\_\_\_\_ **HPS 2**

Power Seal \_\_\_\_\_  
Size of Seal\* \_\_\_\_\_

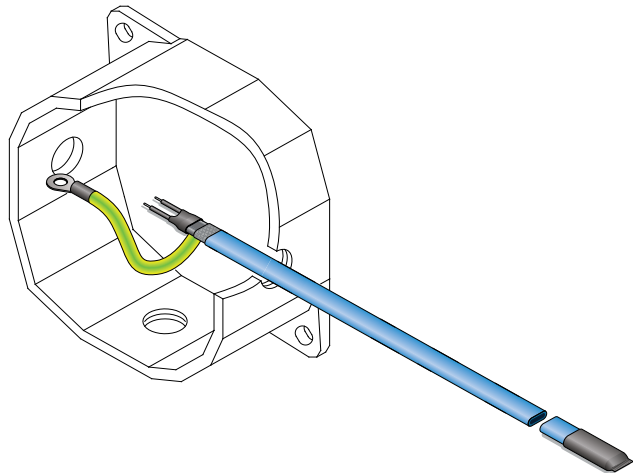
HES & HPS are sold as individual kits, packs of five or can also be found as part of our Standard Termination Kits including:

HTK1, HTK3 and HTK5

*\*For more information and the full list of kits please see our website and the termination matrix.*

*Please refer to our termination matrix for correct use of these kits.*

### INSTALLATION EXAMPLE:



Heat Trace Ltd, Mere's Edge, Chester Road, Helsby, Frodsham, Cheshire, WA6 0DJ, England.  
 Tel: +44 (0)1928 726451 Fax: +44 (0)1928 727846  
 www.heat-trace.com Email: info@heat-trace.com

The information given herein, including drawings, illustrations and schematics (which are intended for illustration purposes only), is believed to be reliable. However, Heat Trace Ltd makes no warranties as to its accuracy or completeness and disclaims any liability in connection with its use. Users of Heat Trace Ltd products should make their own evaluation to determine the suitability of each such product for specific applications. In no way will Heat Trace Ltd be liable for any damages arising out of the misuse, resale or use of the product.