

CML 18 ATEX 3377U
 II 2G D
 Ex 60079-30-1 IIC Gb
 Ex 60079-30-1 IIIC Db
 Ts=-40°C to +130°C

SK / HTS1FAR / LRG / P & B

LongLine LLR-HV Cable
(supplied separately)

For splice connection
of HTS1FAR
28.3, 40.0 and 60.0
sized heating cables.

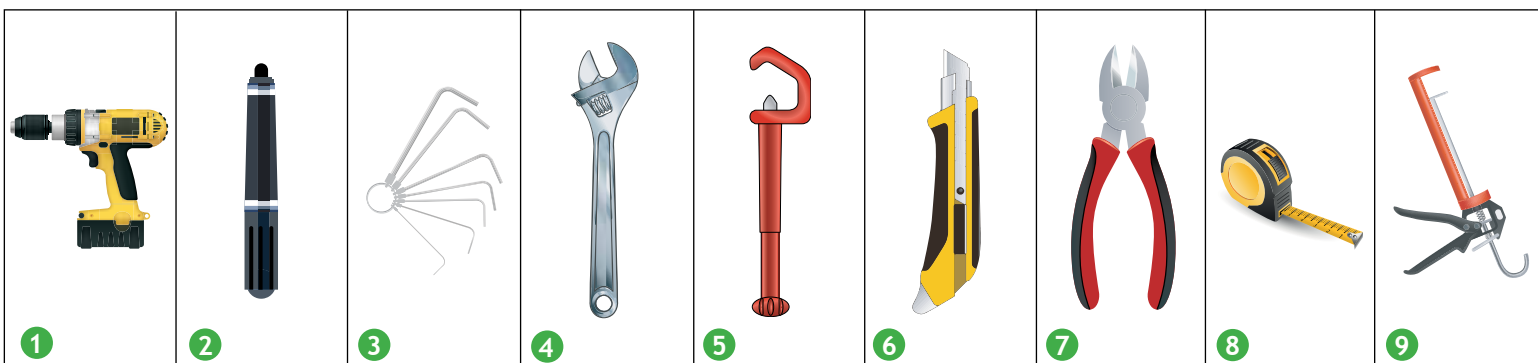


Made in the UK

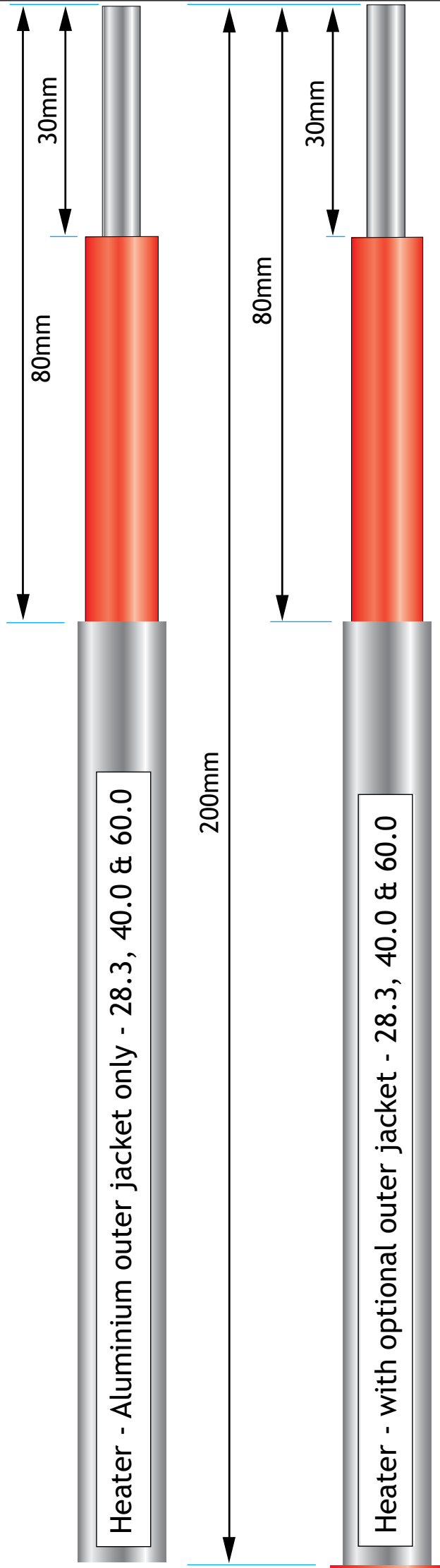
(Mar 23)

ITEM	DESCRIPTION	QTY	COMMENTS
1	Connector	1	24mm Ø
2	Enclosure	1	42mm Ø
3	Gland and Reducer	2	M32 for HTS1FAR-HV 28.3, 40.0 & 60.0
4	Silicone Sealant	140ml	
5	Constant force spring	2	
6	Earth Braid & Coloured Sleeve	1	
7	Self-amalgamating tape	1	

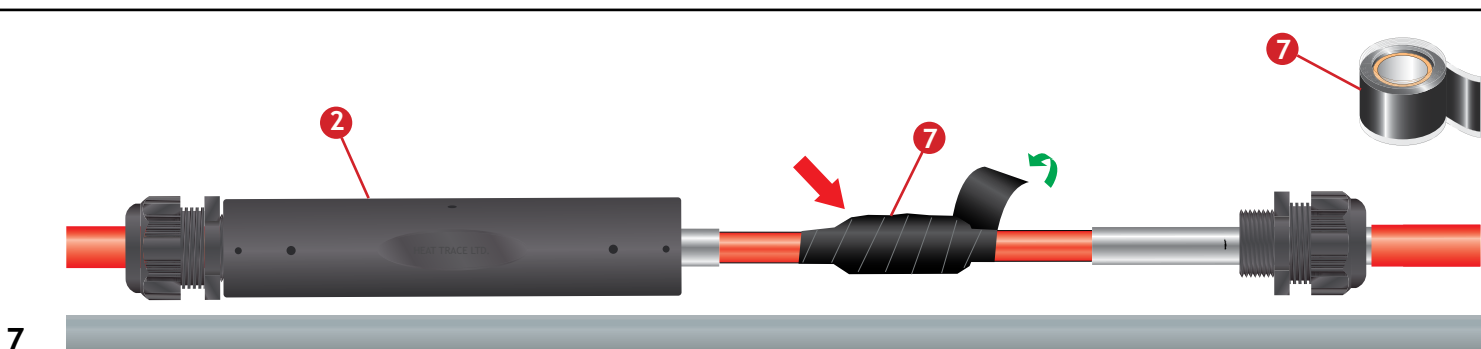
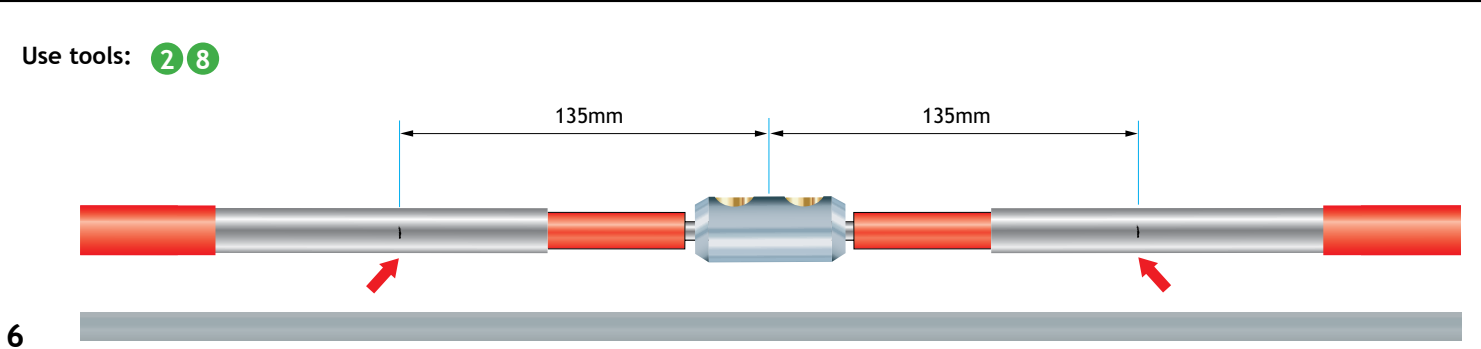
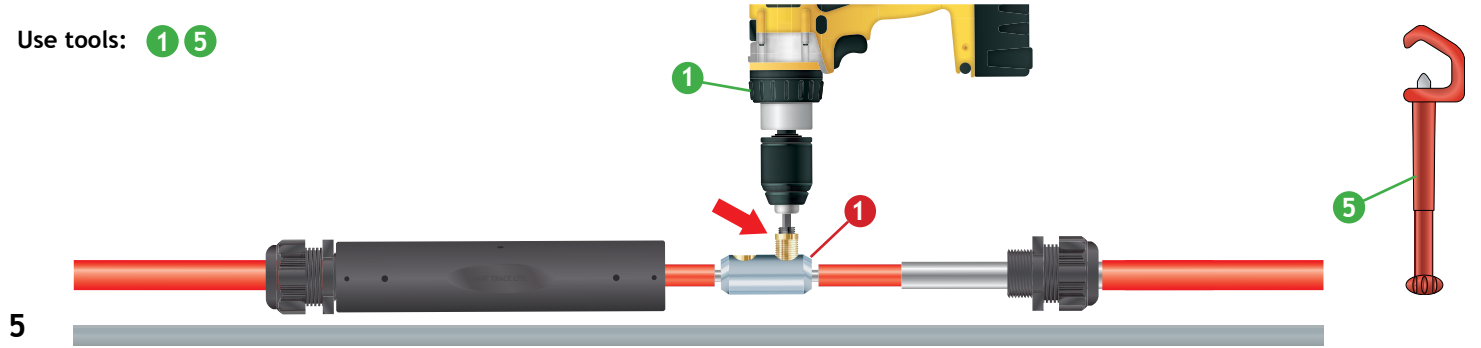
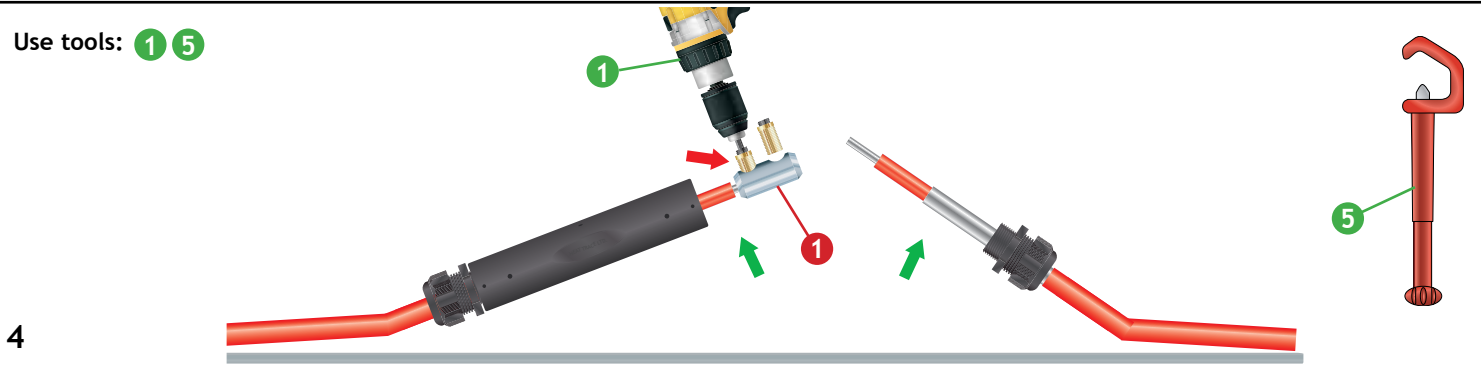
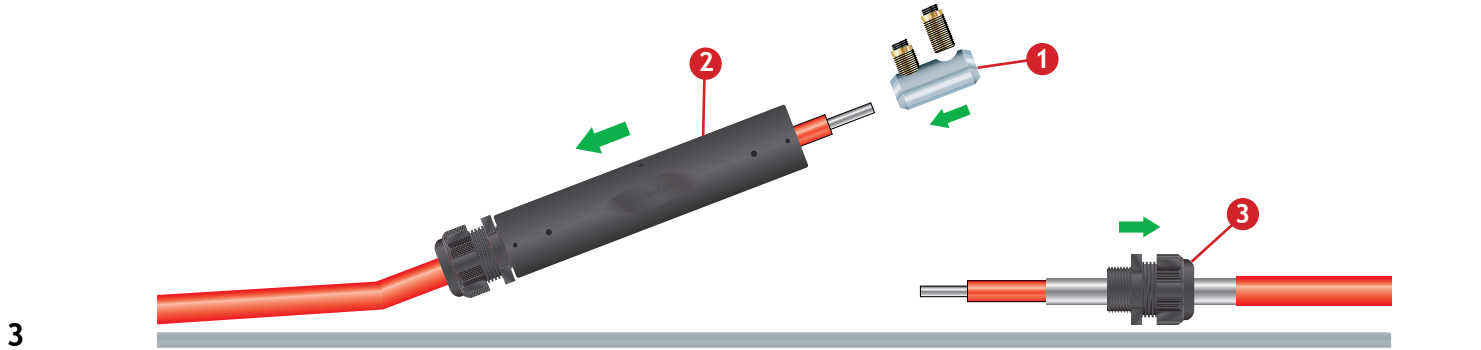
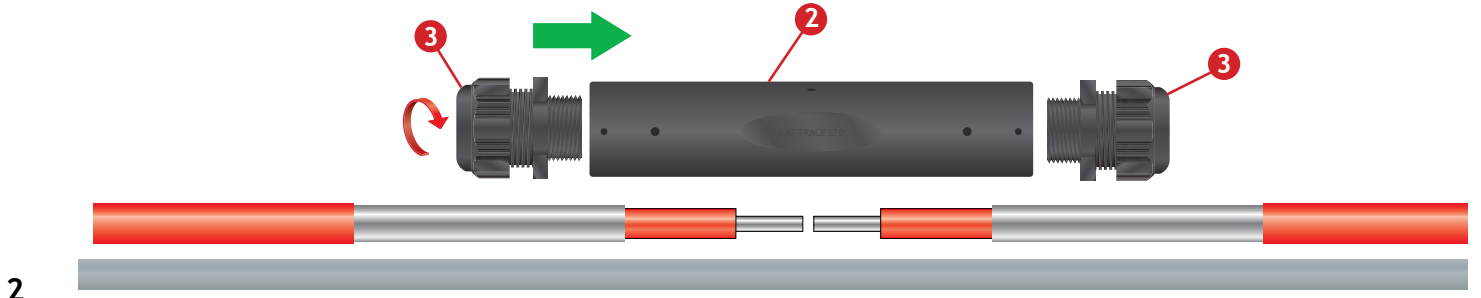
Tools required



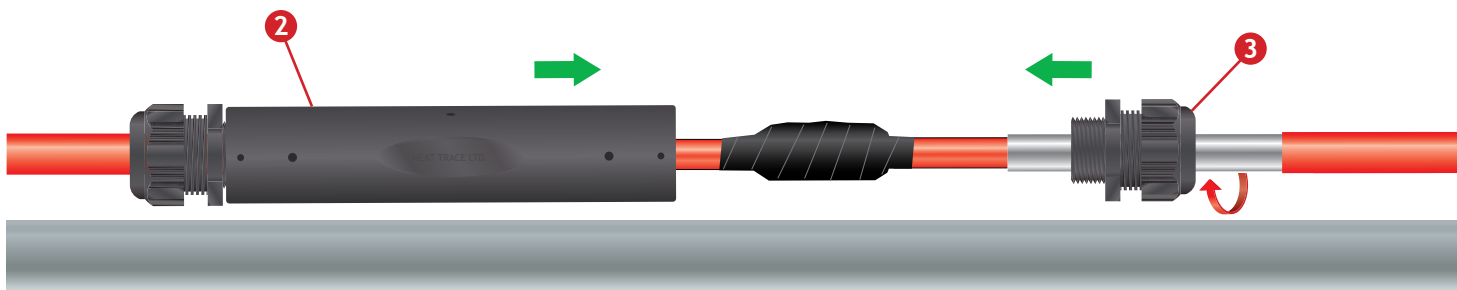
→ Prepare Heater Cable Use tools: 2 6 7 8



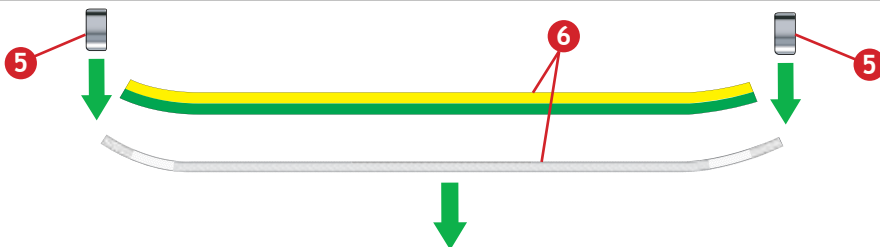
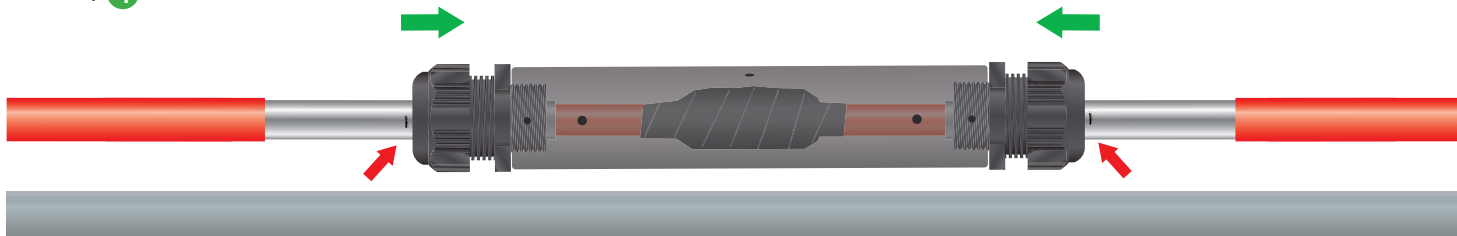
Assembly of Termination



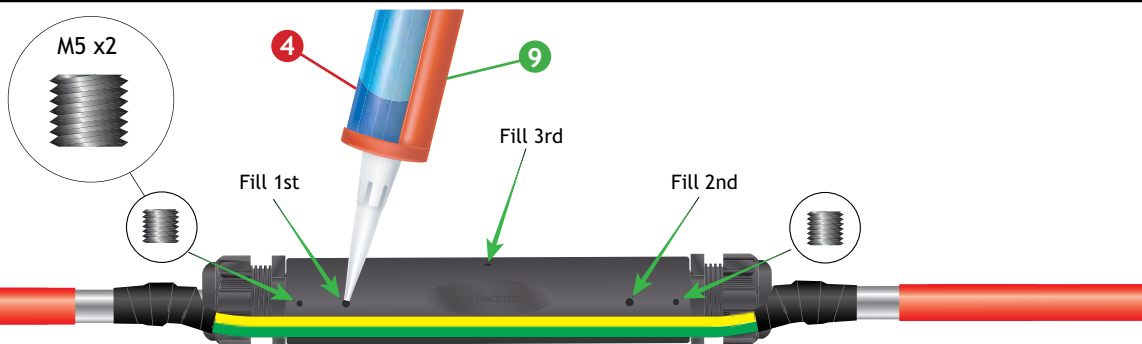
Assembly of Termination



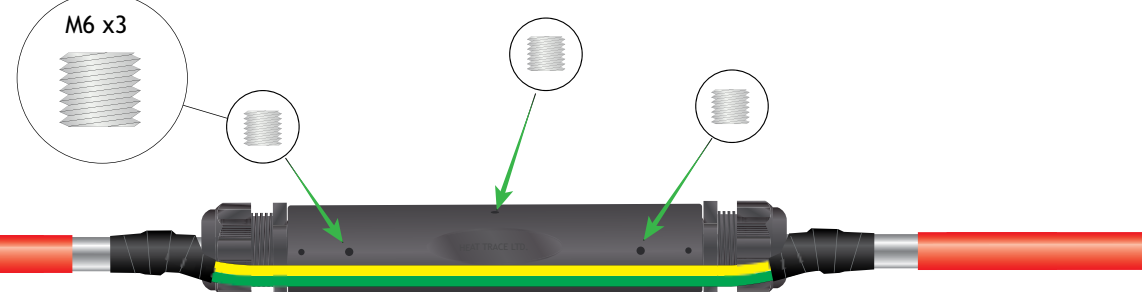
Use tools: 4



Use tools: 3 9



Use tools: 3



13