

# AJB / D

Junction box for use with electric heat tracing systems

# JUNCTION BOX

- Available for use in safe and hazardous areas
- All boxes suitable for use with all styles of heating cable
- Approved for use in Zone 1 and 2 hazardous areas
- Manufactured in accordance with EN60079-0
- Enclosures suitable for Gas groups IIA, IIB & IIC
- Complete range of accessories & termination kits
- IP66 rated

## INTRODUCTION

The AJB / D Junction Box comprises a cylindrical die cast aluminium enclosure with a threaded cover. The cover incorporates a sealing ring to offer weatherproofing. The enclosure has four lugs with plain holes that are used to fix the enclosure to the mounting surface. Cable entry holes are provided for the accommodation of suitably certified cable glands or stopping plugs between the fixing lugs. External and internal earthing facilities are provided.

The AJB / D Junction Box is fitted with a general purpose terminal block, the maximum permitted dissipated power inside the enclosure is 16.8 W.



# SPECIFICATION

**AMBIENT TEMPERATURE** -20°C to +50°C  
(-4°F to +121°F)

**EARTH CONTINUITY PLATE** Available as extra

## TERMINAL BLOCKS

Maximum terminal block dimensions 83(L) x 33(W) x 26.5(H)  
Weidmuller - Klippon Terminals

TYPE	WIRE CAPACITY mm <sup>2</sup>		MAXIMUM RATINGS		
	MIN	MAX	VOLTS	AMPS	QTY
SAK2.5	0.5	2.5	550	15	10
SAK4	0.5	4.0	550	15	8
SAK6N	0.5	6.0	550	18	6
SAK10	2.5	10	550	37	4
WDU2.5	0.22	2.5	726	15	8
BK3-BK8	0.5	4.0	275	21	1
MK6/3-4-6	0.5	6.0	418	18	1

Entrelec Terminals

TYPE	WIRE CAPACITY mm <sup>2</sup>		MAXIMUM RATINGS		
	MIN	MAX	VOLTS	AMPS	QTY
MA2.5/5	0	2.5	380	15	10
M4/6	0	4.0	660	30	8

## APPROVAL DETAILS

Testing Authority Certificate No.

ATEX



Sira 03ATEX1001

IECEX



IECEX SIR 10.0042

## EQUIPMENT MARKING



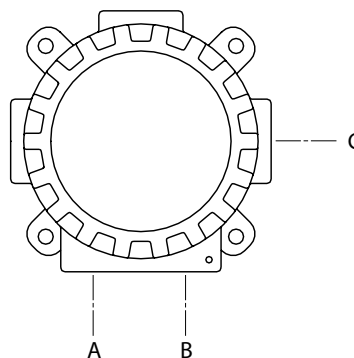
II 2G  
Ex d IIC T6 Gb  
Ta = -20°C to 50°C

**APPROX VOLUME** 560cm<sup>3</sup>

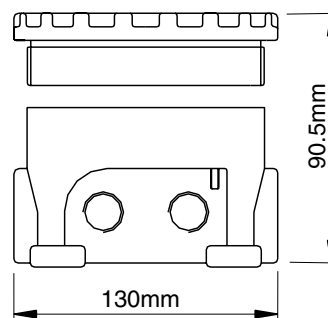
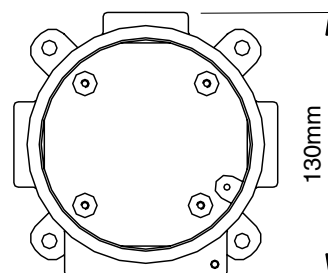
**WEIGHT** 1.5kgs

## ENTRIES

Standard entries are 3 x M20 x 1.5.  
Alternatives upon request are: M16 x 1.5 and M25 x 1.5  
To order Enclosures with alternative entries, please give full description of requirements.



## DIMENSIONS



**MATERIAL** Die cast aluminium

**FINISH** Matt Black



Mere's Edge, Chester Road, Helsby, Frodsham, Cheshire, WA6 0DJ, UK  
Tel: +44 (0)11928 726 451 Fax: +44 (0)1928 727 846 <http://www.heat-trace.com>

The information given herein, including drawings, illustrations and schematics (which are intended for illustration purposes only), is believed to be reliable. However, Heat Trace Ltd makes no warranties as to its accuracy or completeness and disclaims any liability in connection with its use. Users of Heat Trace Ltd products should make their own evaluation to determine the suitability of each such product for specific applications. In no way will Heat Trace Ltd be liable for any damages arising out of the misuse, resale or use of the product.